

Aviation Swivel Joint (Stainless Steel)

Standard Features:

The Aviation Swivel Joint is a compact, purpose-built solution designed for use on fuel dispensers (tank trucks) and hydrant trucks, commonly found at airports. Its streamlined design maximises space for additional equipment on the vehicle, while ensuring smooth and unrestricted movement of pipework and hoses. Lightweight yet durable, it allows for easy handling without adding unnecessary weight to already heavy trucks, making it an ideal choice for efficient fuel handling operations.

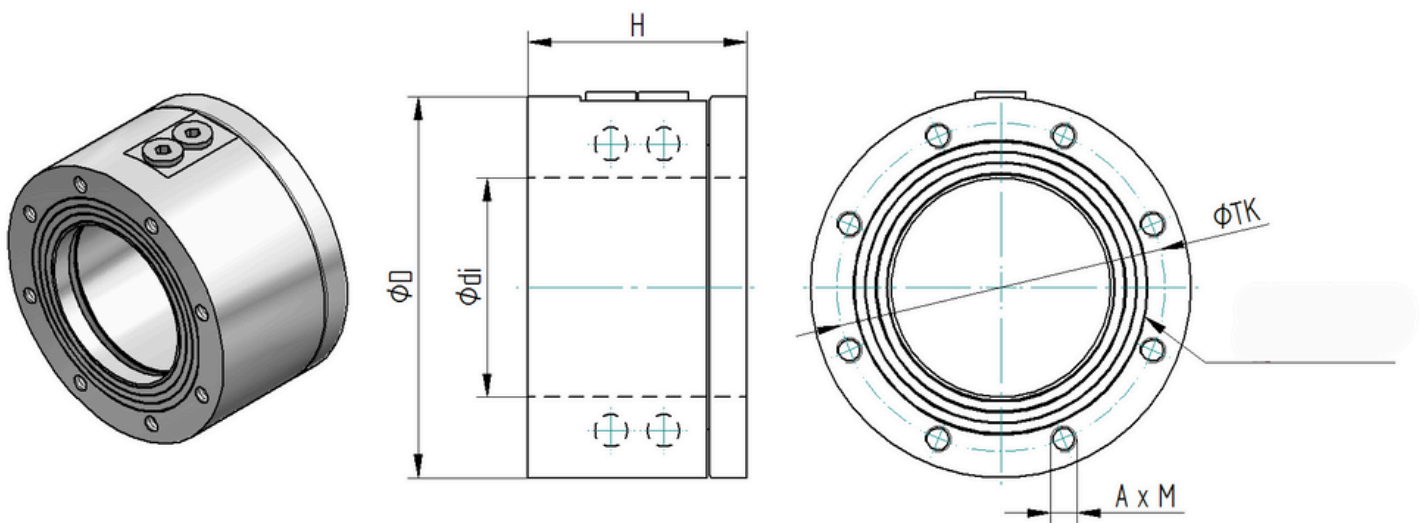
Engineered to handle both pressure and vacuum, the swivel joint supports seamless fuel filling and emptying processes. It is machined from forged rings with no welds, ensuring a compact design and eliminating the need for costly non-destructive testing (NDE).

Technical Information:

- Sizes 2" up to 6"
- Pressure Vacuum up to 10 bar
- Temperature -60°C up to +100°C
- Materials Aluminium or Stainless Steel
- Seals PTFE-Compounds

Product Advantages:

- Easy handling
- Standard connection DIN 28459
- High finished surfaces
- Balls made of stainless steel



Size	ØD (mm)	Ødi (mm)	H (mm)	ØTK (mm)	A (Qty)	M	Weight (kg) SST
3"	154	80	100	130	8	M10/17tief	9.5
4"	174	100	100	150	8	M10/17tief	12.0
5"	204	125	100	176	8	M10/17tief	15.5
6"	240	150	120	210	12	M12/22tief	25.0