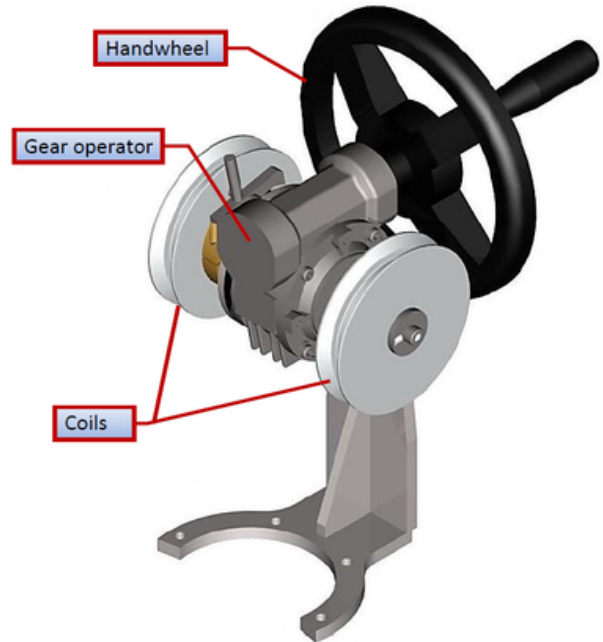


# Telescopic Drop Tubes

## Model 4517 Telescopic Drop Tube Driving Device

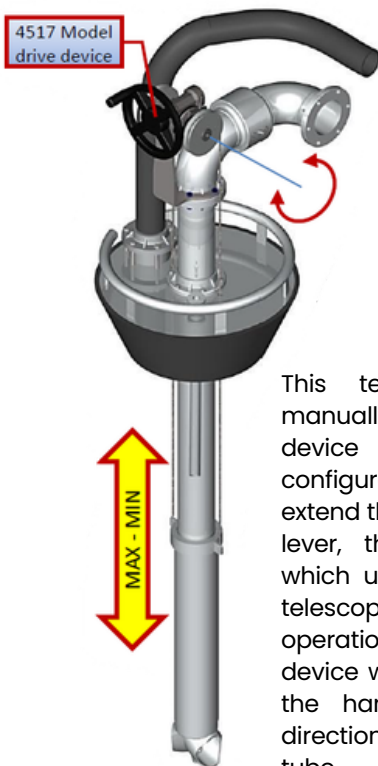
Current safety regulations and the increasing demand for Top Loading Arms with vapour recovery systems, which require the drop tube to remain in contact with the bottom of the tank, have led to the development of a specialised drop tube driving device designed to reduce splashing. This device allows for precise control over the extension and shortening of the drop tube, balancing manoeuvrability with maintaining contact with the tank bottom. The driving device operates via a handwheel that rolls two cables into coils, thereby adjusting the length of the telescopic drop tube. It is available in both manual and pneumatic operation options.



## Model 4418 Telescopic Drop Tube

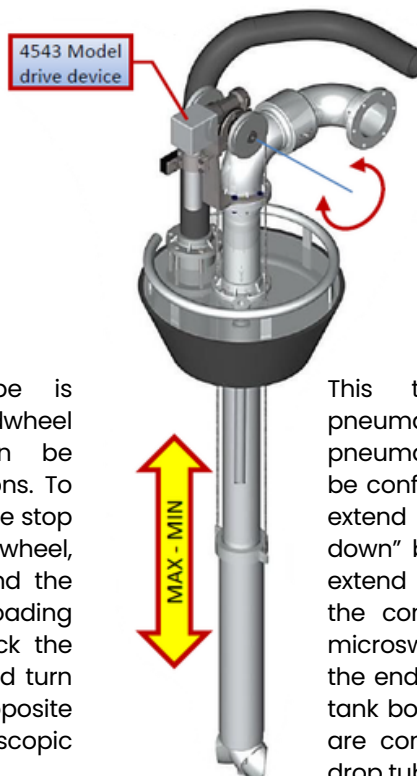
The telescopic drop tube is a specialised vertical tube installed on Top Loading Arms with a vapour recovery system. It features an adjustable length device, allowing the drop tube to be extended or shortened as needed. This design strikes a balance between easy manoeuvrability and the requirement to maintain contact with the bottom of the tank, ensuring a continuous conductive path.

### Manual device with handwheel (C-4517)



This telescopic drop tube is manually operated by a handwheel device (C-4517) and can be configured with 2 or 3 sections. To extend the tube, first unlock the stop lever, then turn the handwheel, which uses 2 ropes to extend the telescopic tube. Once loading operations are complete, lock the device with the stop lever and turn the handwheel in the opposite direction to retract the telescopic tube.

### Pneumatic device with engine (C-4543)



This telescopic drop tube is pneumatically operated by a pneumatic engine (C-4543) and can be configured with 2 or 3 sections. To extend the tube, press the "press-down" button, which uses 2 ropes to extend the telescopic drop tube until the cone contacts the manhole. A microswitch stops the extension when the end of the drop tube reaches the tank bottom. After loading operations are complete, retract the telescopic drop tube by pressing the "up" button.