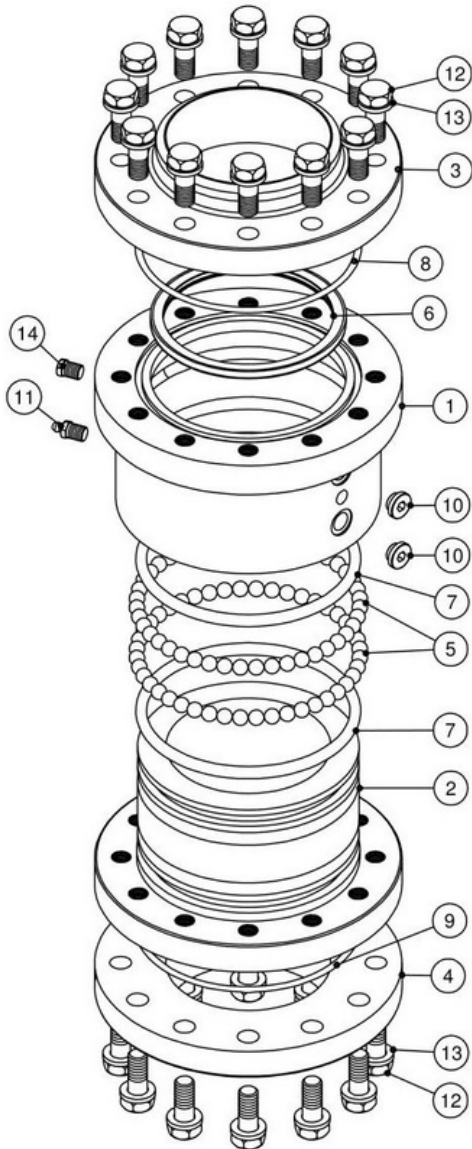


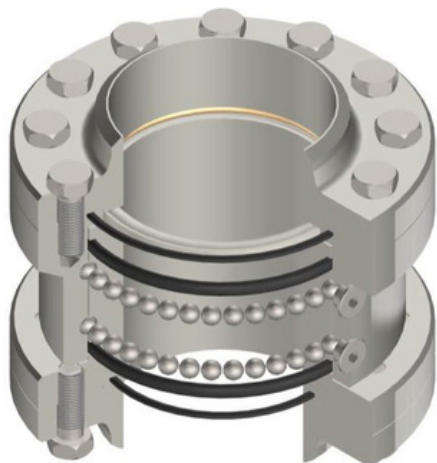
# Model 3885/SS Swivel Joint

## Stainless Steel Standard Construction

### Exploded View



### Assembled View



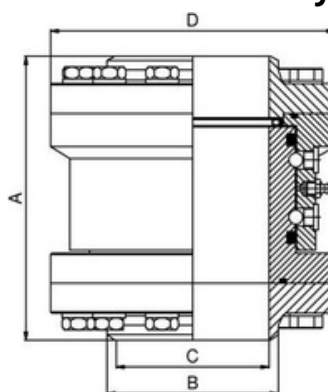
### Standard Features:

The Model 3885/SS stainless steel Swivel Joint is a 4 piece design with AISI 316-L construction which makes it suitable for chemicals. This design has a PTFE® energised seal allowing for easy swivelling and seal replacement. This specific design also allows for a quick swivel joint replacement.

### Part List

Item	Description	Quantity	Material
1	Body	1	AISI 316L
2	Sleeve	1	AISI 316L
3	Body Flange	1	AISI 316L
4	Sleeve Flange	1	AISI 316L
5	Balls		Carbon Steel
6	Energised Seal	1	PTFE filled + ELGILOY®
7	Grease O'Ring	2	BUNA N / VITON
8	Body Flange O'Ring	1	BUNA N / VITON
9	Sleeve Flange O'Ring	1	BUNA N / VITON
10	Ball Plugs	2	Carbon Steel
11	Grease Nipple	1	AISI 303
12	Flange Screws		AISI 316L
13	Washers		AISI 316L
14	Leak Detector Plug	1	AISI 304

### Primary Dimensions



Size	A	B	C	D	Kg	Design Pressure
2"	153	60.3	52	118	7.5	40 Bar G
3"	185	88.9	78	154	12.6	40 Bar G
4"	189	114.3	102	190	20.5	40 Bar G

**Notes:** PTFE® energised seal FDA approved on request