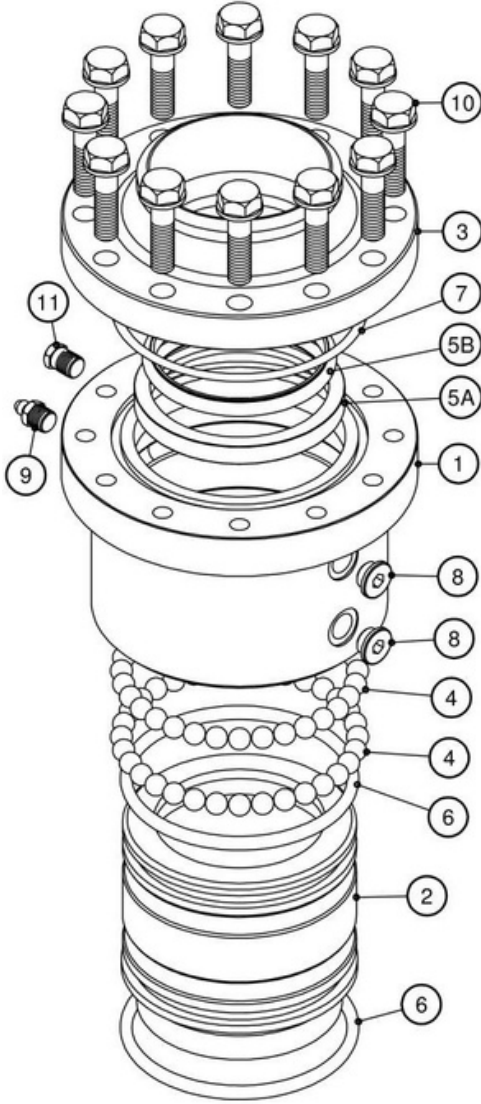


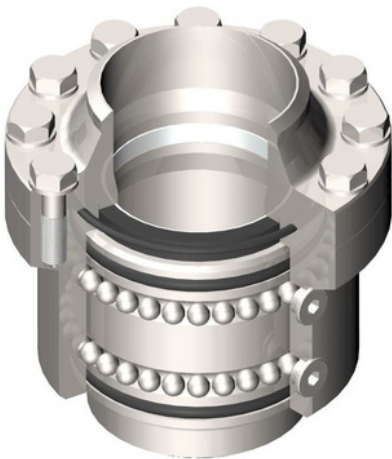
Model 2833/SS-C Swivel Joint

Stainless Steel Construction

Exploded View



Assembled View



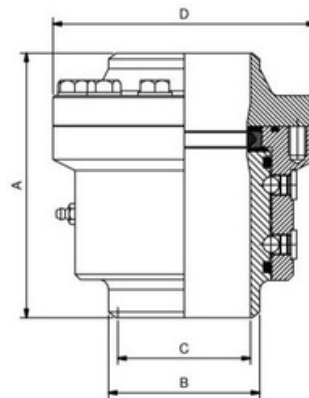
Standard Features:

The Model 2833 SS-C is a 3 piece design constructed in AISI 316-L which makes it suitable for chemicals. It has a primary seal "C" profile with easy swivelling and seal replacement.

Part List

Item	Description	Quantity	Material
1	Body	1	AISI 316-L
2	Sleeve	1	AISI 316-L
3	Body Flange	1	AISI 316-L
4	Balls		Carbon Steel
5A	Primary Seal	1	VITON / BUNA N / KALREZ
5B	Primary Seal Internal Ring	1	AISI 316-L
6	Grease O'Ring	2	BUNA N / VITON
7	Flange O'Ring	1	BUNA N / VITON
8	Ball Plugs	2	AISI 303
9	Grease Nipple	1	AISI 316-L
10	Flange Screws / Washers		AISI 316-L
11	Leak Detector Plug	1	AISI 304

Primary Dimensions



Size	A	B	C	D	Kg	Design Pressure
2"	129	60.3	52	118	5.1	40 Bar G
3"	155.5	88.9	78	154	8.8	40 Bar G
4"	168	114.3	102	190	14.2	40 Bar G