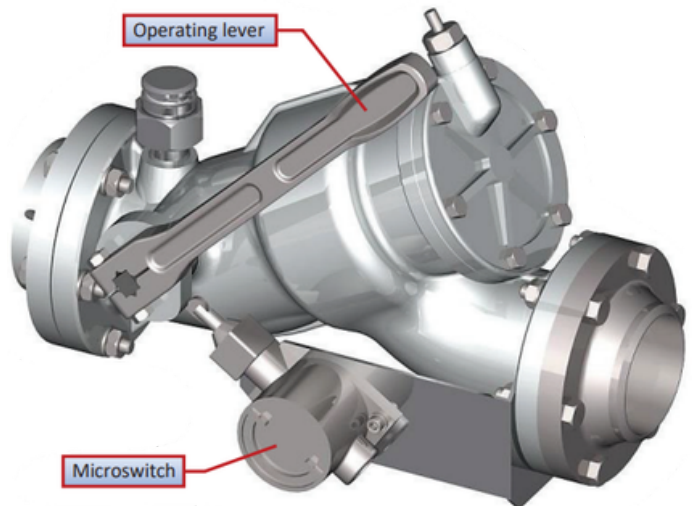


# Signals for Valve Status

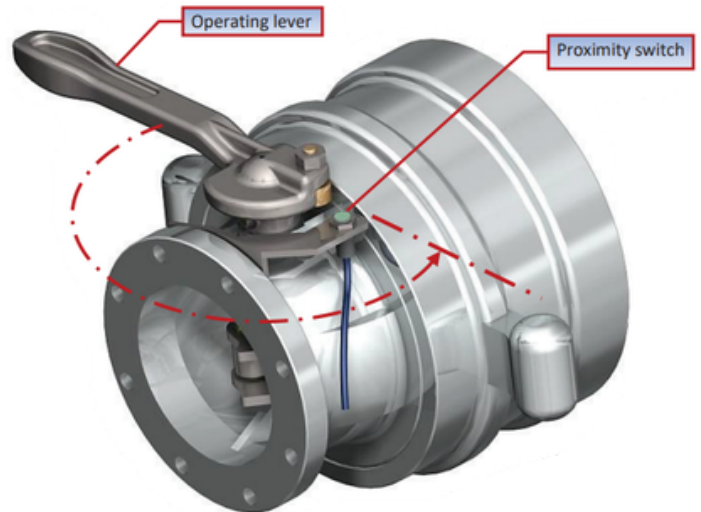
## Electrical signal for Open / Closed Loading Valve

It signals the lever of the loading valve being turned to open the loading valve. This can be achieved with Ex-d microswitches or Ex-ia proximity switches.



## Connection of the 3659 dry-disconnect coupling

It is used to signal the API RP 1004 dry-disconnect coupling being connected to the male counterpart and the operating lever being turned in loading position. This signal is particularly used on 740/750 or 2454-BC model bottom loading arms. This can be achieved with Ex-d microswitches or Ex-ia proximity switches.



## Connection of the 3659 dry-disconnect coupling

It is used to signal that API RP 1004 vapor-recovery (cam and groove) coupling being connected to the male counterpart. This signal is normally used on 740/750 model bottom loading arms. This can be achieved with Ex-ia proximity switches.

