

Pneumatic Folding Stairs

Safe Access

EWFM Safe Access Systems: Protecting your workers in hazardous and high level environments.

The EWFM Pneumatic Step Unit is suitable for all rail and road tanker loading and platform access, and is available in a range of standard sizes to suit many height variations.

Technical Specification

All Units are manufactured and constructed in the UK to the highest quality for long lasting durability and many years of maintenance free operation in harsh environments. Constructed from galvanised mild steel to BS 729 for long lasting durability in harsh environments.

All Units comply with ATEX 95 equipment directive 95/9/EC this concerns the supply and use of equipment in potentially explosive atmospheres.

Pneumatically operated rod locks are mounted to each ram to allow easy operation and enables the unit to be locked in any position within the stroke, using the built-in control panel. Units require a clean and dry compressed air supply of 5.5 bar; air consumption is 80 litres per cycle, or 20CFM at the point of consumption.

Optional Extras

An optional safety cage can be fitted to any Pneumatic Step Unit which is constructed from galvanised mild steel to BS 729 as standard. Sizes and material can be modified.

Support

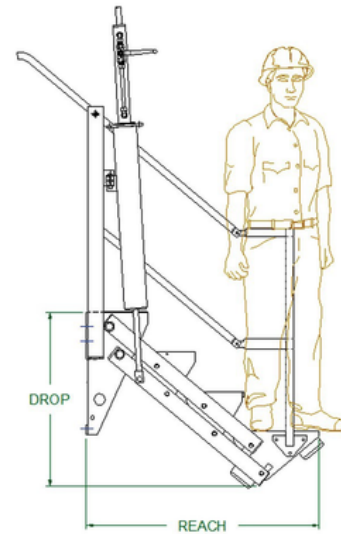
EWFM offer on-going staff training and instruction as well as annual inspection and maintenance contracts.

Delivery

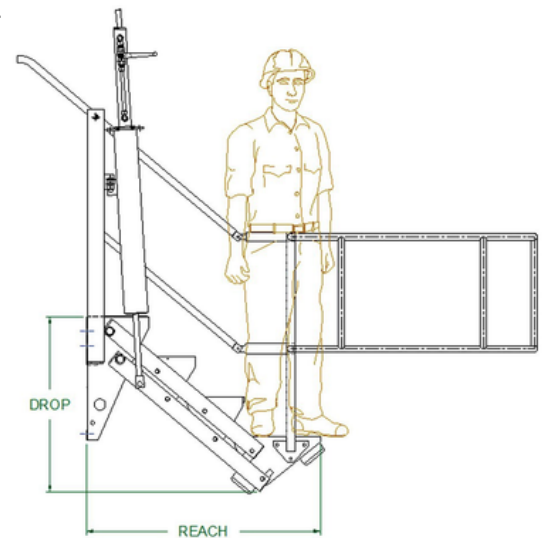
Delivery is available on request - POA. Delivery is from our manufacturing site in Tadcaster

Sizing Chart

| Model | UNIT DIMENSIONS (mm) | | CAGE DIMENSIONS (mm) | | | Step Width (mm) | | | | OPTIONAL EXTRAS |
|-------|----------------------|-------|----------------------|--------|--------|-----------------|------|------|------|-----------------|
| | DROP | REACH | WIDTH | LENGTH | HEIGHT | 800 | 1000 | 1200 | 1500 | Safety Cage |
| MK 2 | 481 | 685 | 1200 | 1200 | 550 | ⊘ | ⊘ | ⊘ | | |
| MK 3 | 677 | 919 | 1200 | 1200 | 550 | | | | | |
| MK 4 | 874 | 1152 | 1200 | 1200 | 550 | | | | | |
| MK 5 | 1070 | 1386 | 1200 | 1200 | 550 | v | | | ⊘ | |
| MK 6 | 1280 | 1619 | 1200 | 1200 | 550 | | | | ⊘ | |
| MK 7 | 1490 | 1853 | 1200 | 1200 | 550 | | | ⊘ | ⊘ | |



Pneumatic Folding Stairs



Pneumatic Folding Stairs with Safety Cage