

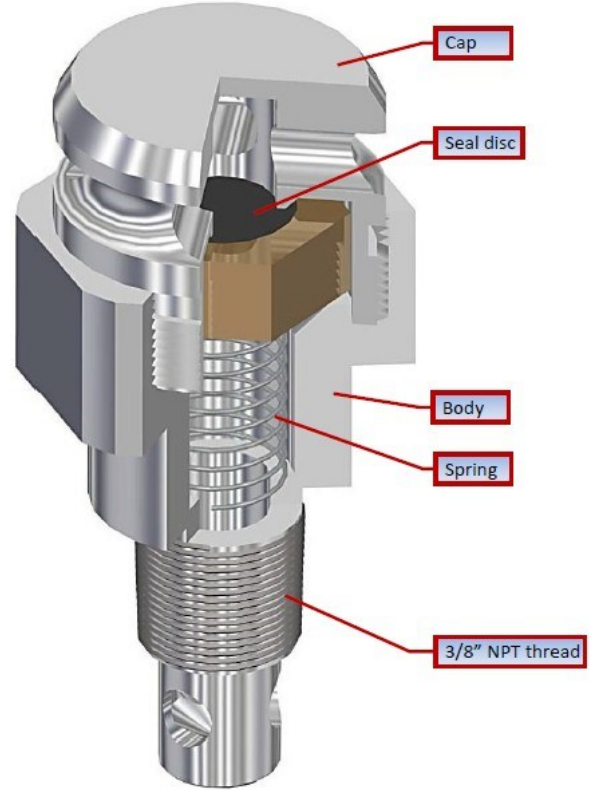
EWFM

Loading Arm Valves - Model 2336 / 2361 Vacuum Breaker

Vacuum breaker is designed by EWFM to permit the complete drainage of the product after the valve from the top loading arm, at the end of the loading. It is standard for EWFM top loading arms.

Model 2336: NI plated brass construction—suitable for Hydrocarbons

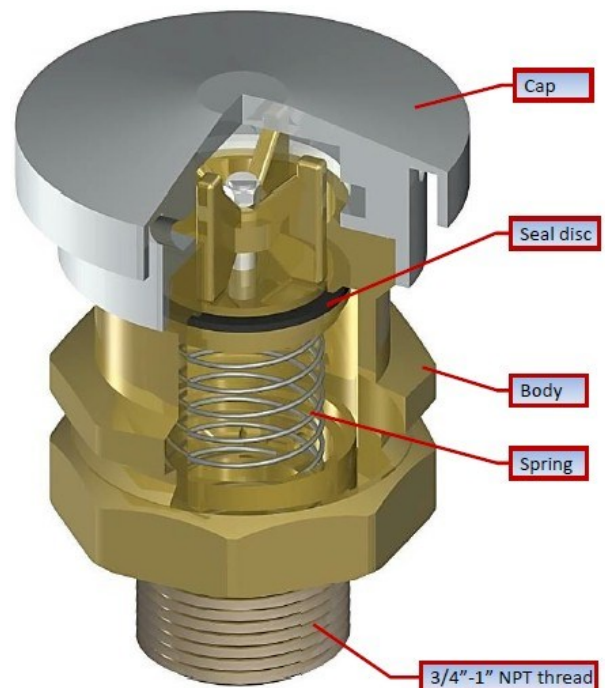
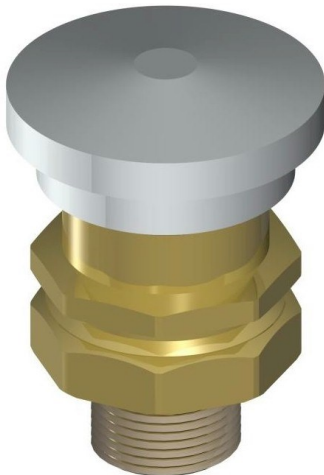
Model 2336: AISI 316-L construction—suitable for Chemicals



Operating Conditions:

Diameter:	3/8" NPT threaded
Design Pressure:	10 Bar G
Vacuum for opening:	57 mabr (30 mbar on special request)
Seal Material:	Viton (Brass) - Viton / Kalrez (AISI 316-L)

Model 2361: NI plated brass/aluminium construction—suitable for Hydrocarbons



Operating Conditions:

Diameter:	3/4" - 1" NPT Threaded
Design Pressure:	10 Bar G
Vacuum for opening:	20 mbar
Seal Material:	Viton