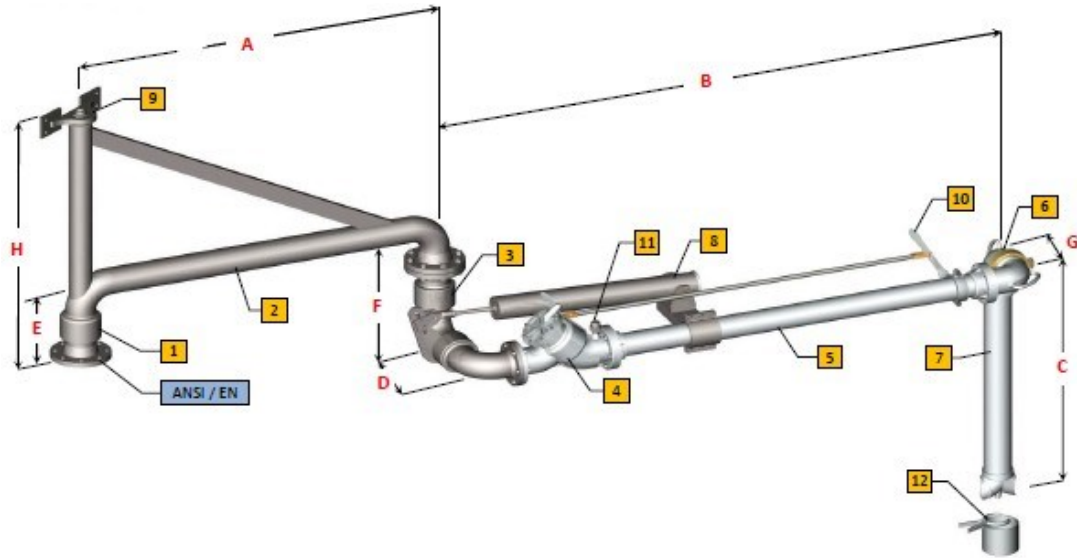


# EWFM

## Loading and Unloading Arms - Long Range Top Loading Arm - Model 621 LR/B

### Operating Conditions:

<b>Design Pressure:</b>	10.0 Bar G
<b>Test Pressure:</b>	15.0 Bar G
<b>Design Temperature:</b>	-15° C / +65°C
<b>Seal Material:</b>	VITON Nitrile (BUNA N) Special VITON (*)
<b>Flow Rate:</b>	3"– 75 mc/h Max 4"– 125 mc/h Max 6"– 280 mc/h Max

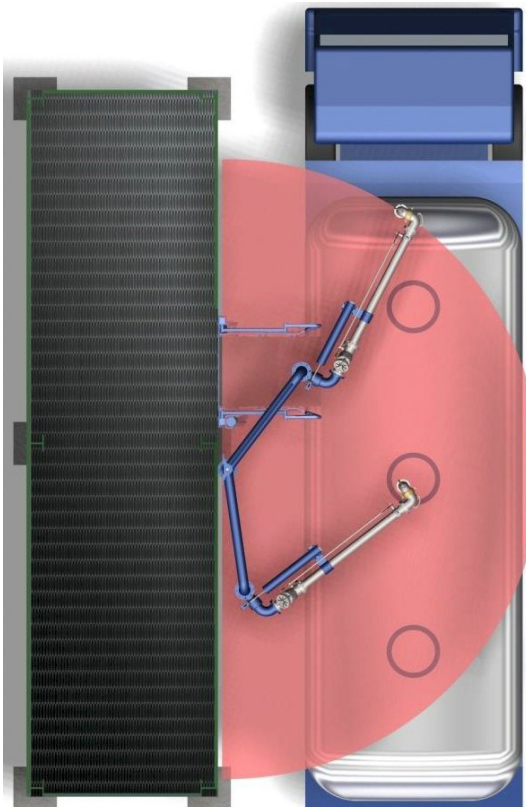


### Standard Dimensions

Dn.	3"	4"	6"
A	2500	2500	2500
B	2100	2100	2100
C	1200/2000	1200/2000	1200/2000
D	296	353	525
E	289	328	462
F	439	510	707
G	174	201	278
H	1000/2000	1000/2000	1000/2000
<b>Weight</b>	160	215	300

Item	Description	Dwg / Mod
1	Style 30 Base Swivel Joint	2174
2	Boom assembly	-
3	Style 50 Double Swivel Joints	2174
4	Loading Valve (stay/hold-open)	504
5	Primary Arm	-
6	Drop Tube Swivel	536
7	Drop Tube with "T" deflector	2359-T
8	Spring Balancing Cylinder	05182
9	Pillow Block	C-4354
10	Valve Remote Control	2356
11	3/8" NPT Vacuum Breaker	2336
12	Nipper Drip Bucket	2408

### Demonstration of operating area



### Options:

- Pos.7 with flute beak end (2359-BF)
- Pos.7 with flow deflector (2359-D)
- Microswitch to signal valve opened/closed
- Locking device for arm in parking position
- (\*) Suitable for BIO-Products
- Overfill level sensor
- NDT test (RT-PT-MT) available on request

### Notes:

- 621-LR/A Model is also available, with intermediate swivel Pos. 3 turned toward the top
- Earthing continuity along the arm, according to ATEX directive