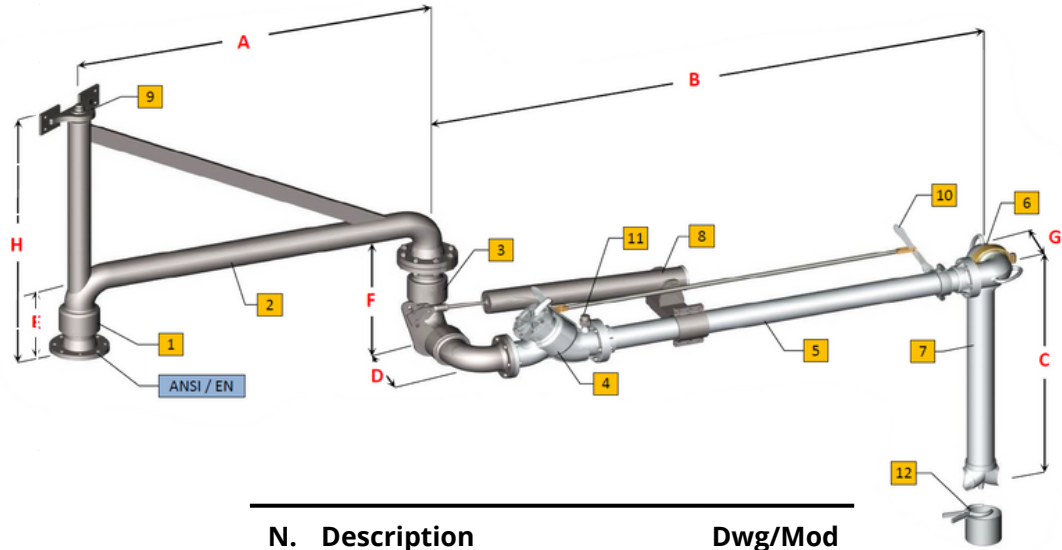


# Long Range Top Loading Arm Model 621 LR/B

## Operating Conditions

Design Pressure	10.0 Bar G
Test Pressure	15.0 Bar G
Design Temperature	-15°C / +65°C
Seal Material	VITON Nitrile (BUNA N) Special VITON (*)
Flow Rate	3"- 75 mc/h Max 4"- 125mc/h Max 6"- 280 mc/h Max

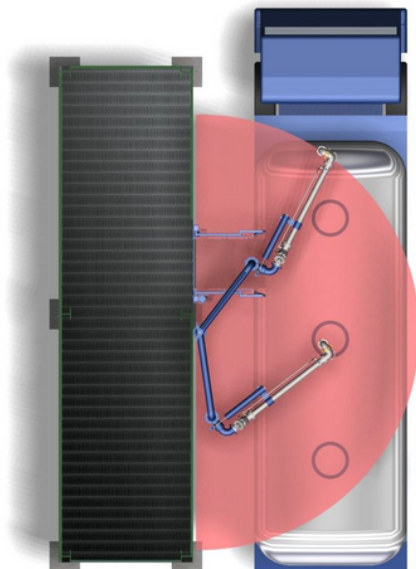


## Standard Dimensions

Dn.	3"	4"	6"
<b>A</b>	2500	2500	2500
<b>B</b>	2100	2100	2100
<b>C</b>	1200/2000	1200/2000	1200/2000
<b>D</b>	296	353	525
<b>E</b>	289	328	462
<b>F</b>	439	510	707
<b>G</b>	174	201	278
<b>H</b>	1000/2000	1000/2000	1000/2000
<b>Weight</b>	160	215	300

N.	Description	Dwg/Mod
1	Style 30 Base Swivel Joints	2174
2	Boom Assembly	-
3	Style 50 Double Swivel Joints	2174
4	Loading Valve (Stay/Hold-Open)	504
5	Primary Arm	-
6	Drop Tube Swivel	536
7	Drop Tube with "T" Deflector	2359-T
8	Spring Balancing Cylinder	05182
9	Pillow Block	C-4354
10	Valve Remote Control	2356
11	3/8" NPT Vacuum Breaker	2336
12	Nipper Drip Bucket	2408

## Demonstration of operating area



## Notes:

- Model 621-LR/A is also available, with intermediate swivel Pos. 3 turned towards the top
- Earthing continuity along the arm, according to ATEX directive

## Options:

- Pos.7 with flute beak end (2359-BF)
- Pos.7 with flow deflector (2359-D)
- Microswitch to signal valve opened/closed
- Locking device for arm in parking position
- (\*) Suitable for BIO-Products
- Overfill level sensor
- NDT test (RT-PT-MT) available on request