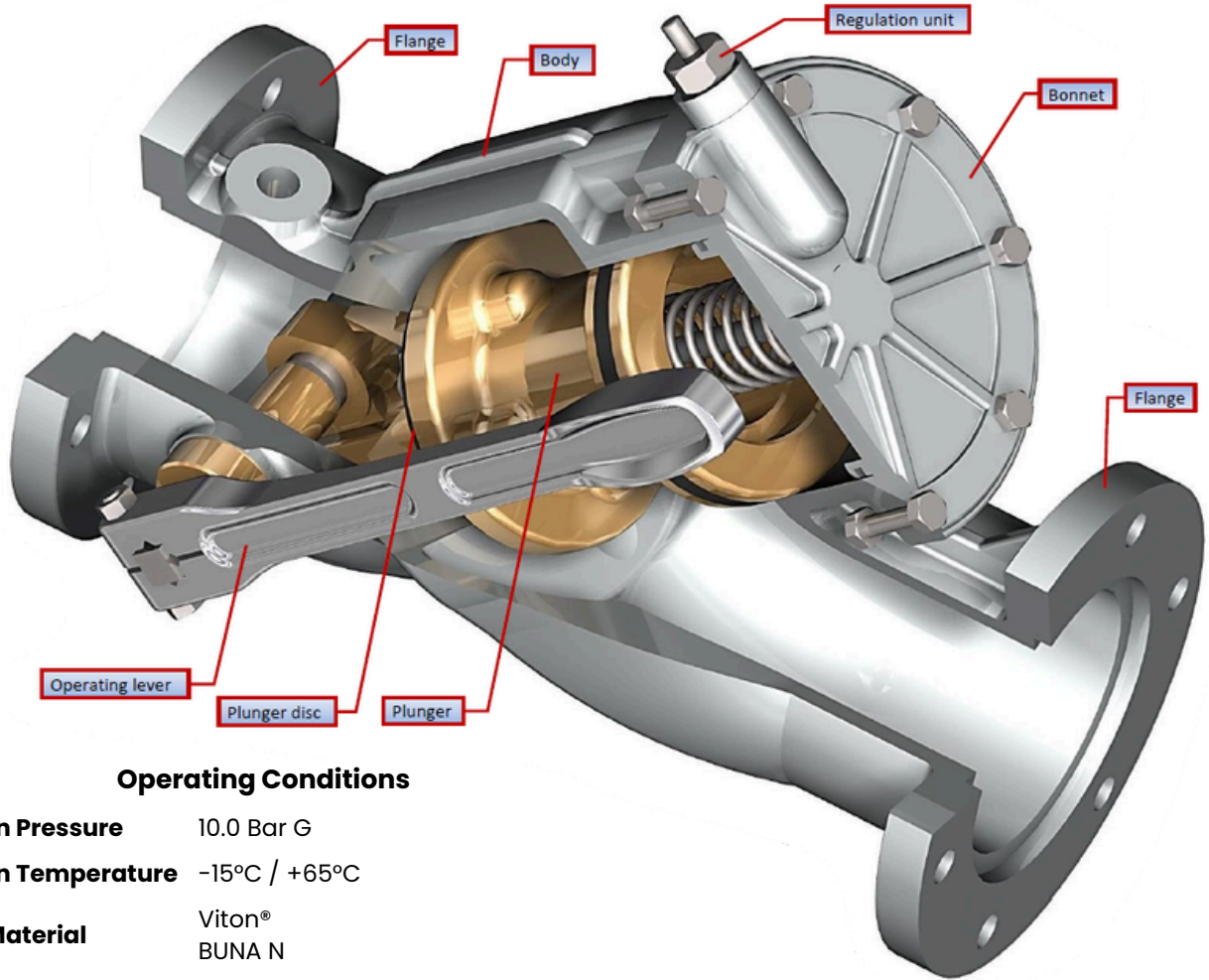


# Model 504

## Loading Valve



### Operating Conditions

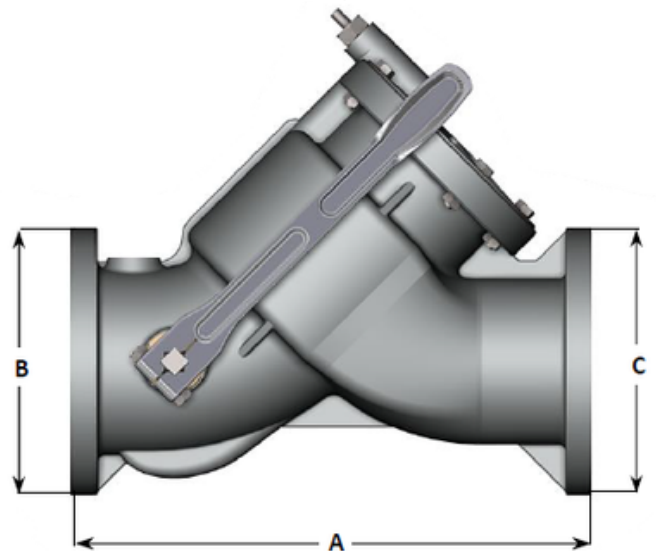
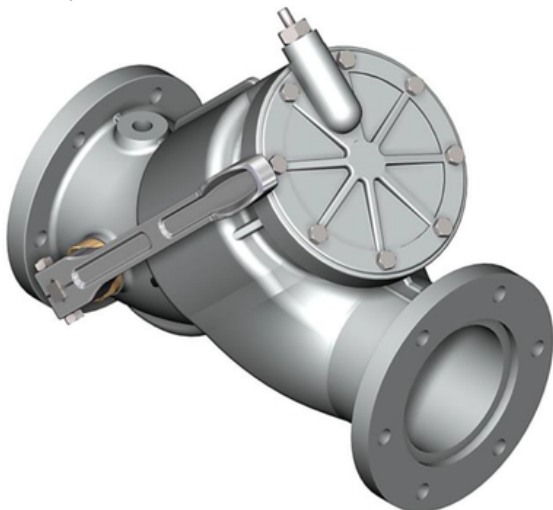
- Design Pressure** 10.0 Bar G
- Design Temperature** -15°C / +65°C
- Seal Material** Viton®  
BUNA N
- Flow Rate**  
3" - Up to 75 m<sup>3</sup>/h Max  
4" - Up to 125 m<sup>3</sup>/h Max  
6" - Up to 280 m<sup>3</sup>/h Max

### Options:

- Ex-d microswitch to signal the valve status (see accessories).

### Notes:

- (\*) TTMA flanges available on request



Standard Dimensions

Dia	A	B	C	Weight
3"	340	154	154	10.0 kg
4"	370	190	190	15.0 kg
6"	470	233	233	28.0 kg