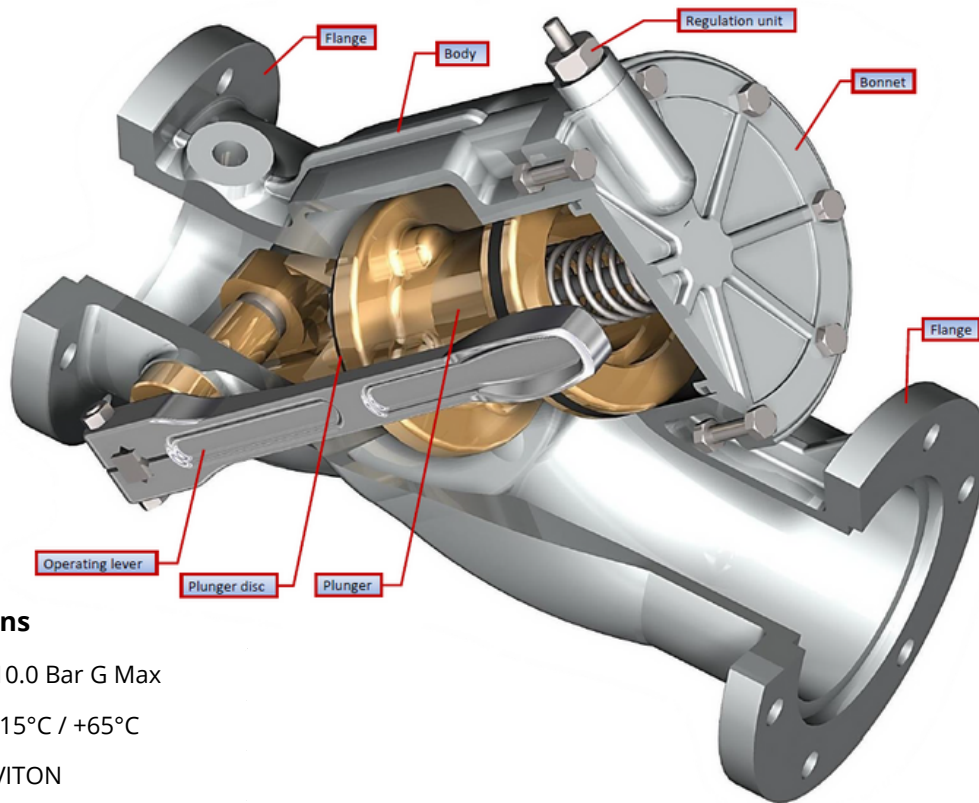


Loading Valve - Model 504



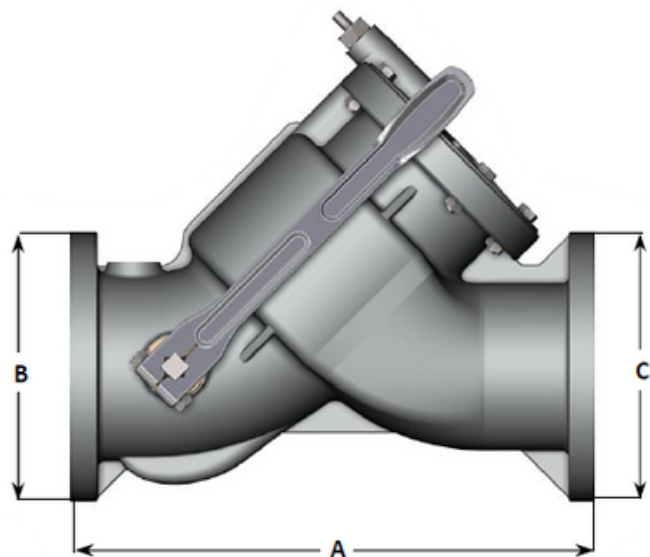
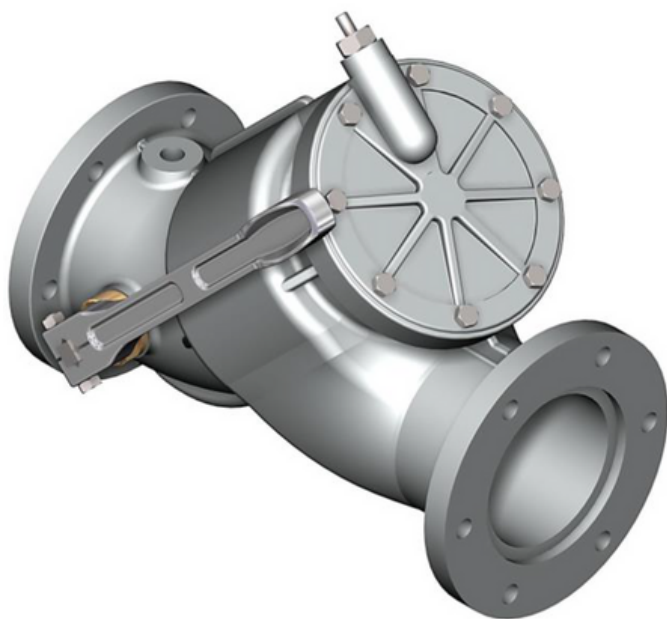
Operating Conditions

Design Pressure 10.0 Bar G Max

Design Temperature -15°C / +65°C

Seal Material VITON

Flow Rate
 3" - 75 mc/h Max
 4" - 125 mc/h Max
 6" - 280 mc/h Max



Standard Dimensions

Dn.	A	B*	C*	Weight
3"	340	154	154	10.0 Kg
4"	370	190	190	15.0 Kg
6"	470	233	233	28.0 Kg

Options:

- EEx-d microswitch to signal valve opened /closed (see accessories).

Notes:

- (*) T.T.M.A. flanges is available on request