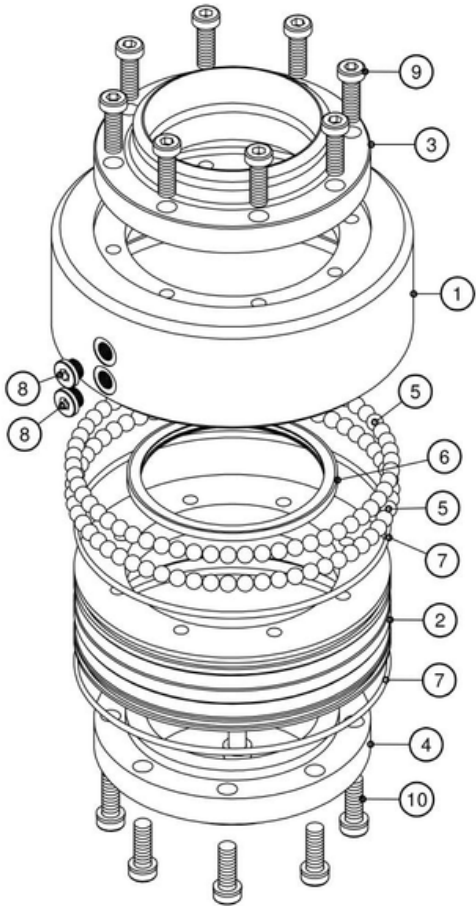


# Model 3996-WNE Reduced Height Swivel Joint

## Carbon Steel Standard Construction

### Expoloded View



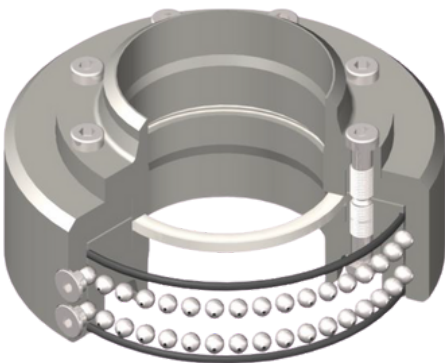
### Standard Features:

The Model 3996-WNE reduced height carbon steel Swivel Joint with butt weld flanges is a 4 piece design with hardened and ground raceways. The reduced height makes this swivel suitable for bottom unloading and it has a AISI 309 sealing surface. The design has PTFE® energised seals and it allows for easy swivelling, seal replacement and a quick Swivel Joint replacement.

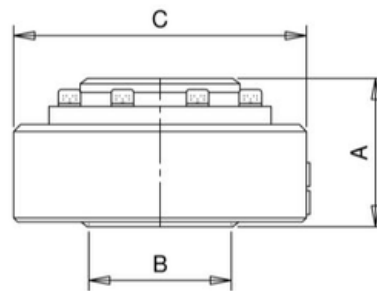
### Part List

Item	Description	Quantity	Material
1	Flanged Female	1	Carbon Steel
2	Flanged Sleeve	1	Carbon Steel
3	Female Flange	1	Carbon Steel
4	Sleeve Flange	1	Carbon Steel
5	Balls		Carbon Steel
6	Energised Seal	1	PTFE filled+ELGILOY®
7	Grease O'Rings		BUNA N / VITON
8	Ball Plugs	1	AISI 303
9	Flange Screws	8	Carbon Steel
10	Flange Screws	8	Carbon Steel

### Assembled View



### Primary Dimensions



Size	A	B	C	Kg	Design Pressure
3"	93	78	186	8	10 Bar G
4"	106	102	208	13.7	10 Bar G