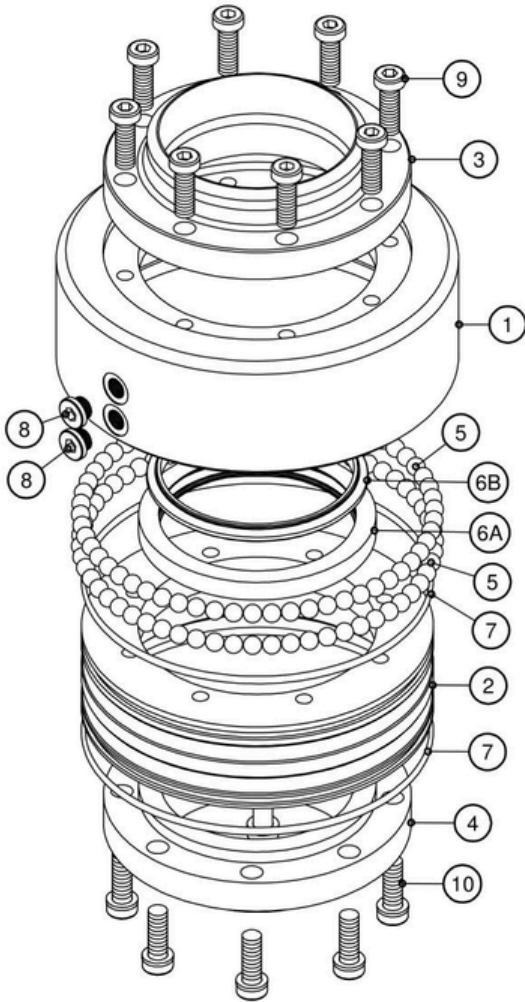


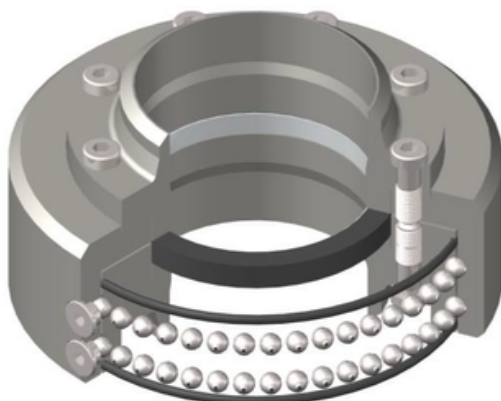
Model 3996-WN Reduced Height Swivel Joint

Carbon Steel Standard Construction

Expoloded View



Assembled View

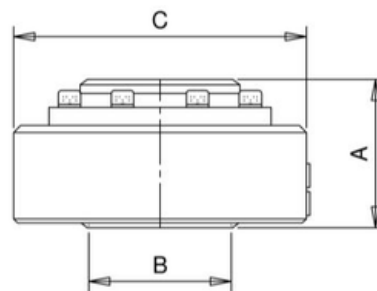


Standard Features:

The Model 3996-WN with butt weld flanges is a 4 piece design with hardened and ground raceways with a reduced height which makes it suitable for bottom unloading. It has a primary seal "C" profile. The design allows for a quick Swivel Joint replacement and easy swivelling/seal replacement.

Part List			
Item	Description	Quantity	Material
1	Flanged Female	1	Carbon Steel
2	Flanged Sleeve	1	Carbon Steel
3	Female Flange	1	Carbon Steel
4	Sleeve Flange	1	Carbon Steel
5	Balls	2	Carbon Steel
6A	Primary Seal	1	VITON
6B	Primary Seal Internal Ring	2	Alu. Alloy
7	Grease O'Rings		BUNA N / VITON
8	Ball Plugs	1	AISI 303
9	Flange Screws	8	Carbon Steel
10	Flange Screws	8	Carbon Steel

Primary Dimensions



Size	A	B	C	Kg	Design Pressure
3"	93	78	186	8	10 Bar G
4"	106	102	208	13.7	10 Bar G