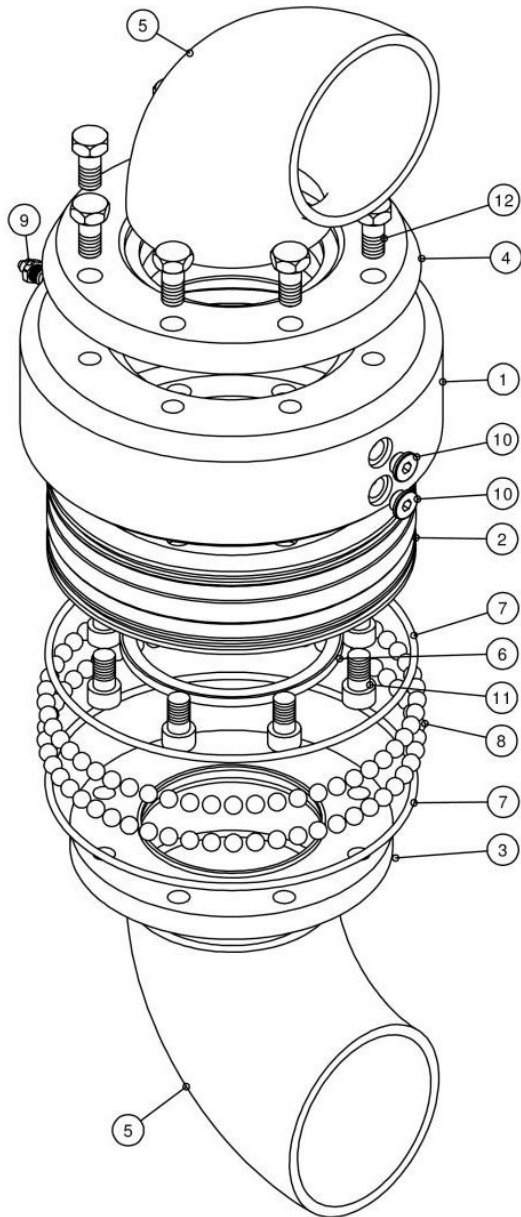


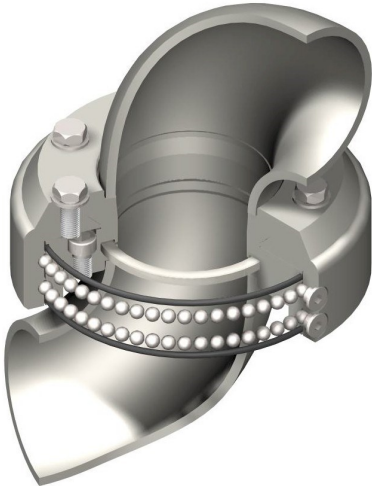
EWFM

Reduced Height Swivel Joint - Model 3996 - Carbon Steel Standard Construction

Exploded View



Assembled View



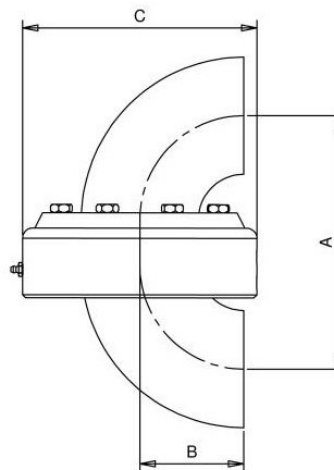
Standard Features:

The Model 3996 reduced height carbon steel swivel joint is a 4 piece design with hardened and grinded raceways. The reduced height makes this swivel suitable for bottom unloading. The design has PTFE® energized seals and it allows for easy swiveling, seal replacement and a quick swivel joint replacement.

Part List

Item	Description	Qty	Material
1	Flanged female	1	Carbon Steel
2	Flanged sleeve	1	Carbon Steel
3	Sleeve Flange	1	Carbon Steel
4	Female Flange	1	Carbon Steel
5	"Short-radius" elbows	2	Carbon Steel
6	Primary seal	1	PTFE filled+ELGILOY®
7	O'Ring	2	BUNA N / Viton
8	Balls		Carbon Steel
9	Grease nipple	1	Carbon Steel
10	Ball Plugs	2	AISI 303
11	Flange Screws	8	Carbon Steel
12	Flange Screws	8	Carbon Steel

Primary Dimensions



Size	A	B	C	Kg	Design Pressure
3"	200	76.2	206	13.7	10 Bar G
4"	245	101.6	224	15.2	10 Bar G
6"	385	152.4	340	40.3	10 Bar G
8"	496	203.2	400	57.5	10 Bar G