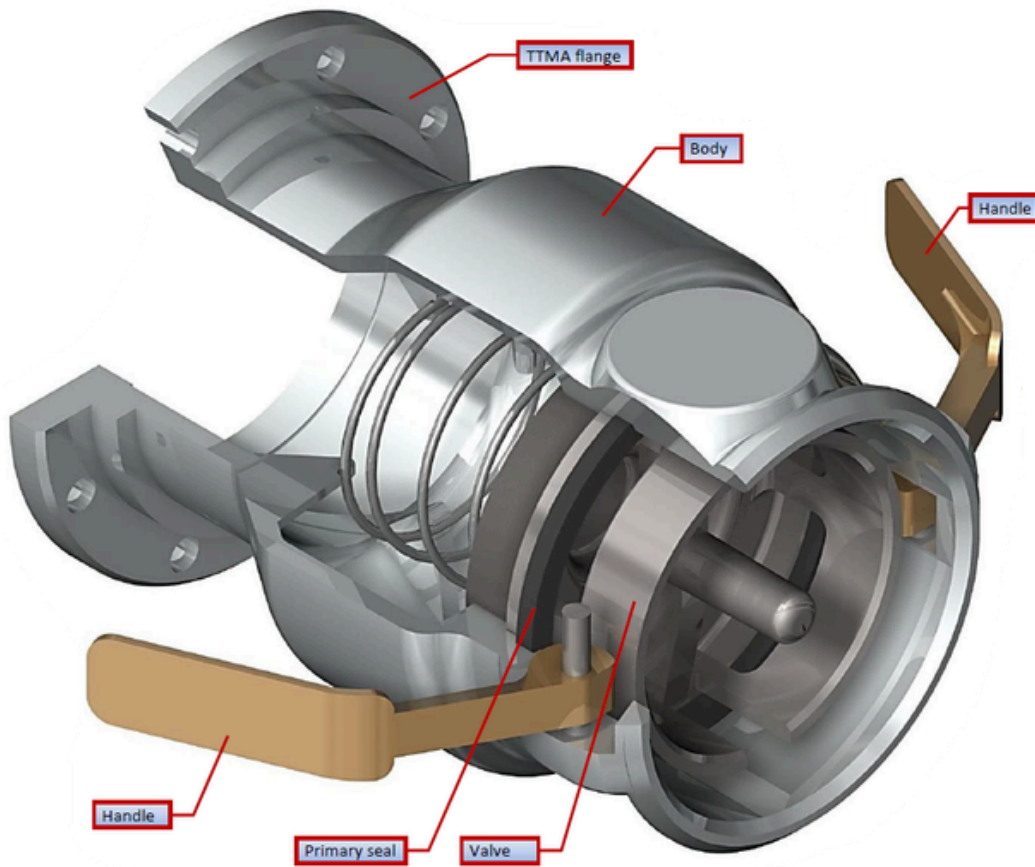


Model 3682

API RP 1004 Dry Disconnect Coupling for Vapour Phase



Operating Conditions

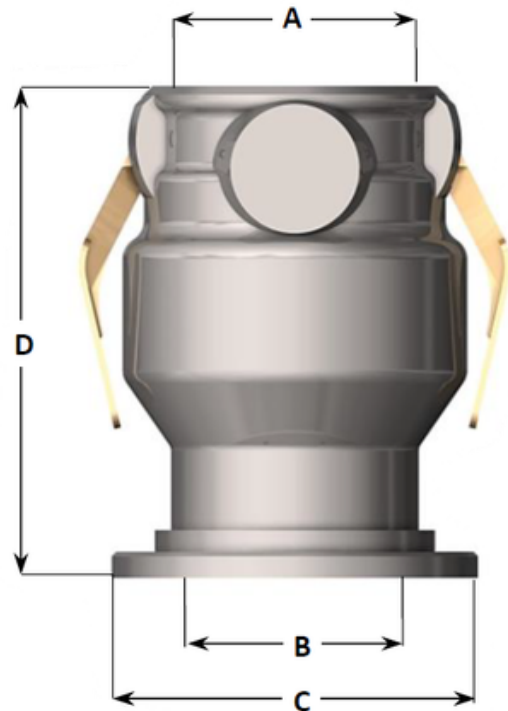
- Design Pressure** 1.0 Bar G
- Design Temperature** -15°C / +65°C
- Seal Material** Special Viton® suitable for **LT** and **BIO** products

Options:

- Ex-ia proximity switch to signal the coupler being correctly connected (see accessories)
- Parking position adapter (see accessories)

Notes:

- TTMA standard flange connection. Other connections available on request.



Standard Dimensions					
Dia	A	B	C	D	Weight
4"	120	102	TTMA ø 170	215	3.8 kg