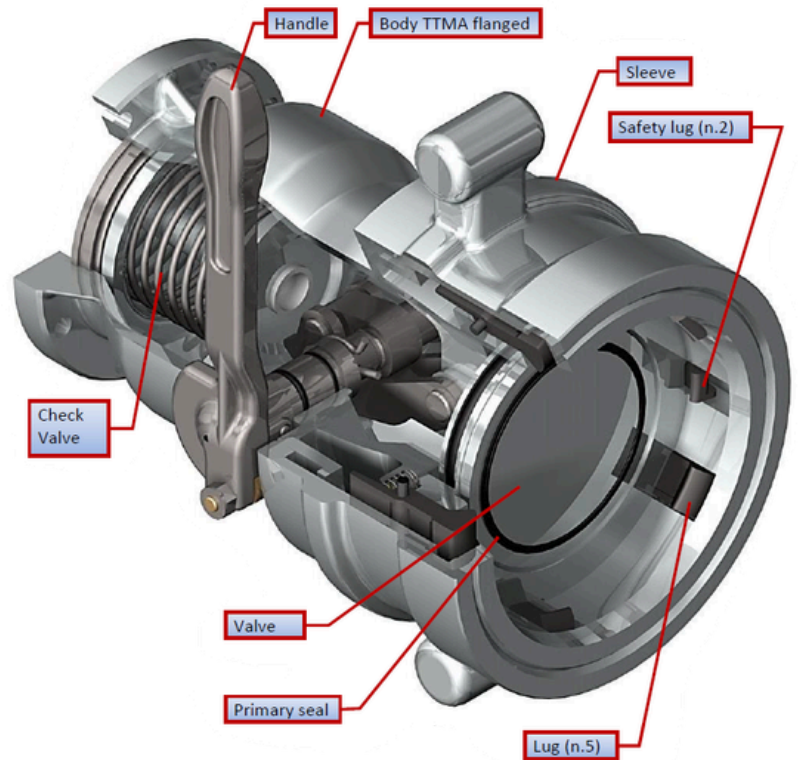
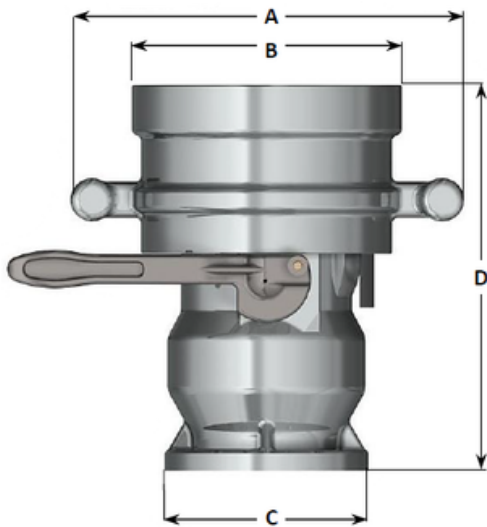


Model 3659-CV

API RP 1004 Dry Disconnect Coupling with Integrated Check Valve for Liquid Phase

Operating Conditions

Design Pressure	10.0 Bar G
Design Temperature	-15°C / +65°C
Seal Material	Special Viton® suitable for LT and BIO products
Flow Rate	4" – up to 150 m ³ /h Max

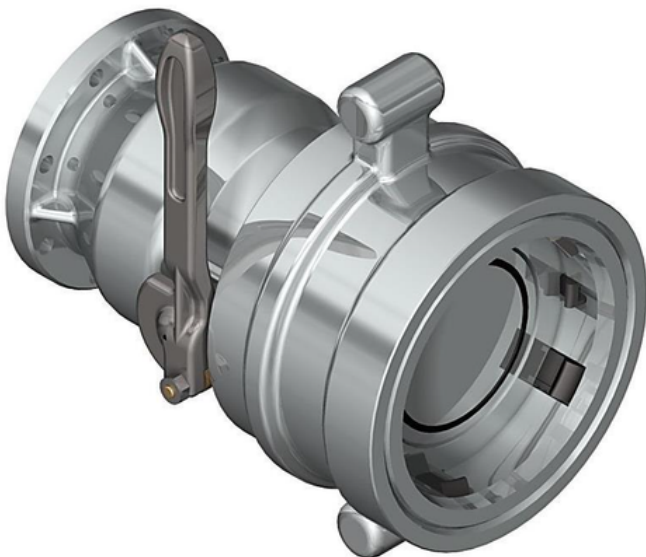


Standard Dimensions

Dia	A	B	C	D	Weight
4"	327	225	TTMA ø 170	322	12.0 kg

Options:

- Ex-ia proximity switch to signal the coupler being correctly connected (see accessories)
- Parking position adapter (see accessories)
- Dust plug



Coupler in Closed Position



Coupler in Open Position