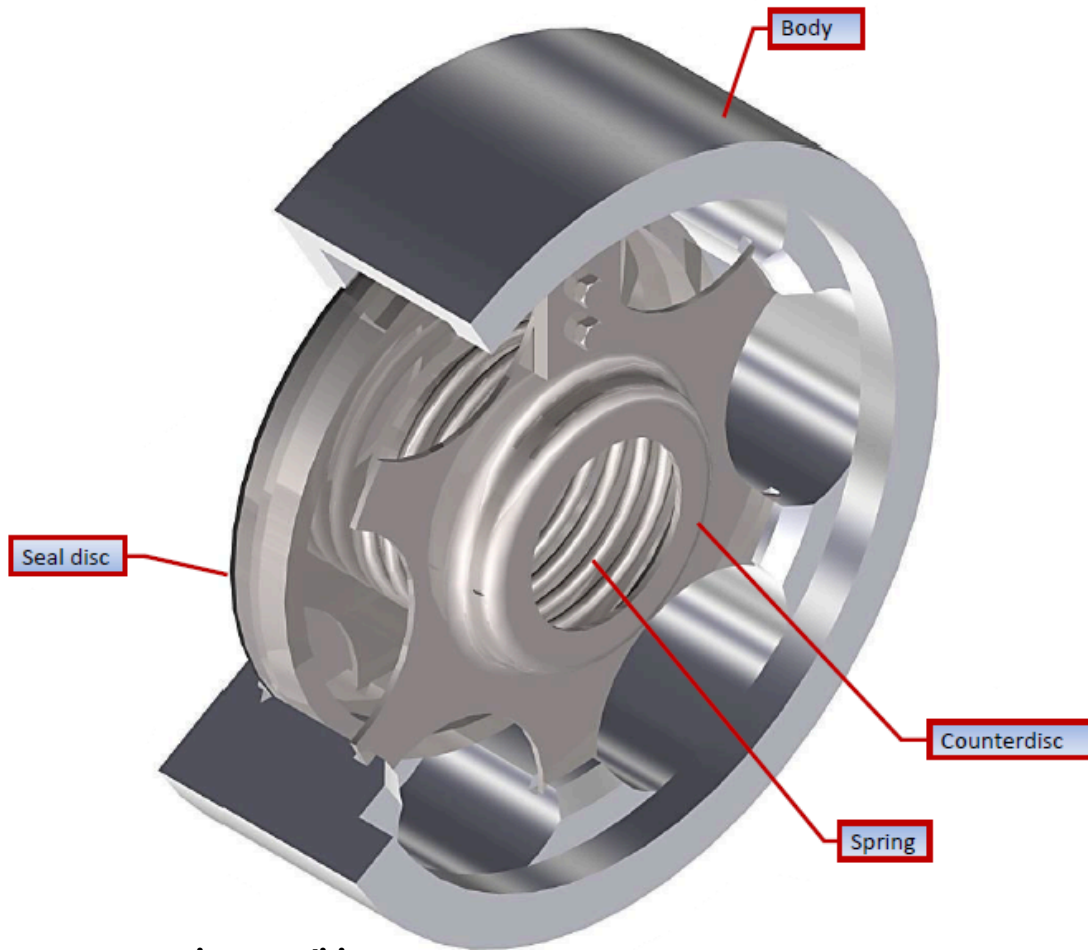


Model 2904

Vapour Check Valve



Operating Conditions

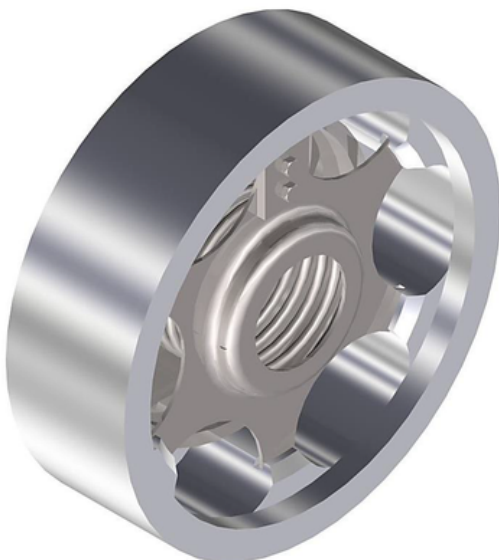
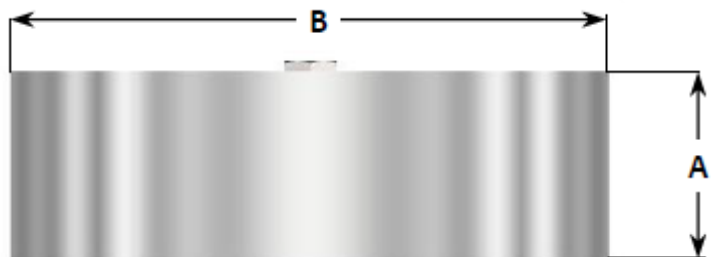
Design Pressure 35.0 mBar G min.

Design Temperature -15°C / +65°C

Seal Material Viton®
BUNA N

Notes:

- (*) TTMA flanges available on



Standard Dimensions		
Dia	A	B
3"	43	118
4"	43	136