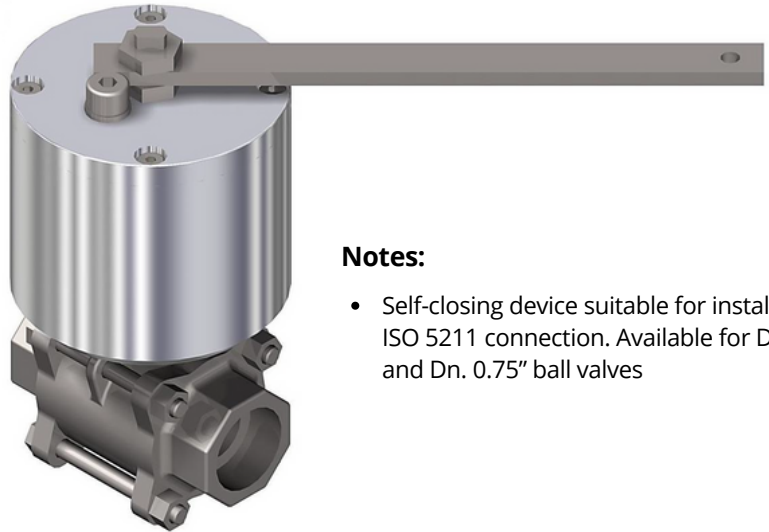
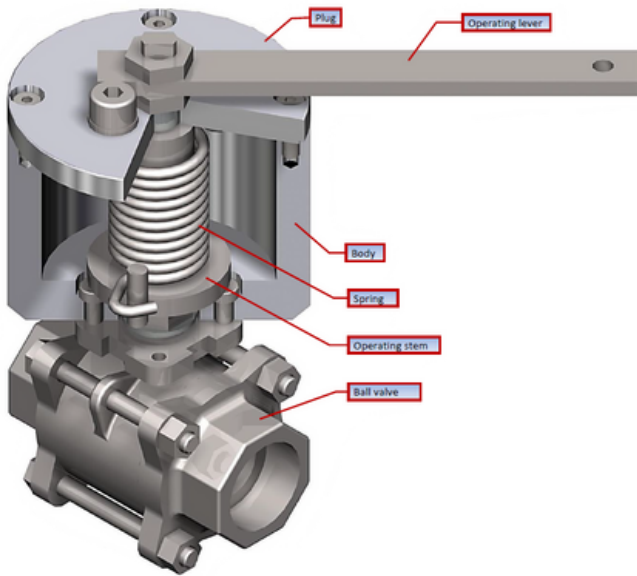


# Self-Closing Vacuum Breakers - Model 4772

## Vapour Check Valve - Model 2904

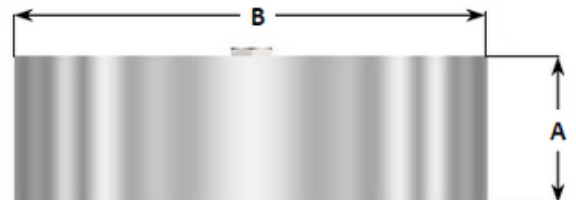
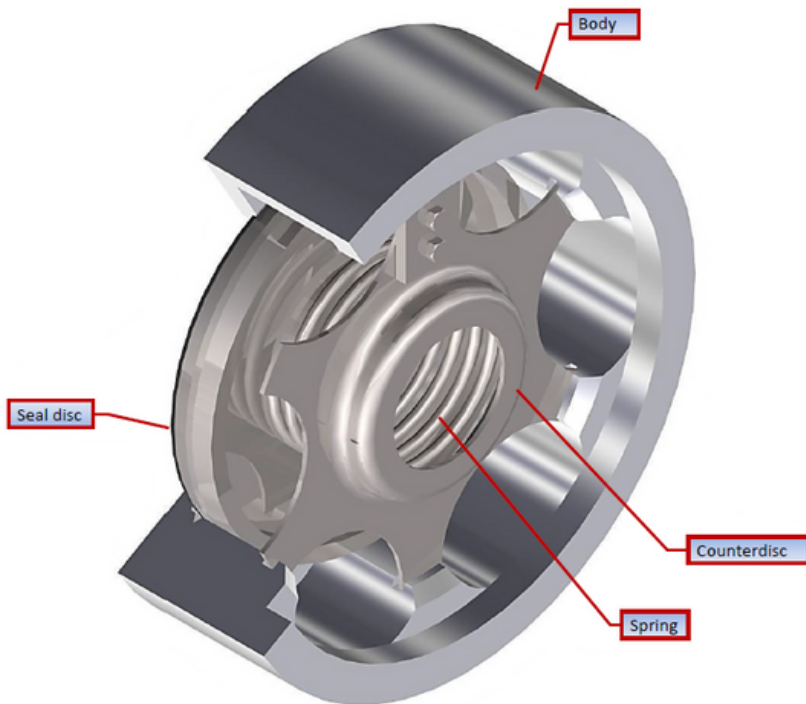
**Model 4772 Self-Closing Vacuum Breaker**



**Notes:**

- Self-closing device suitable for installation on ISO 5211 connection. Available for Dn. 0.5" and Dn. 0.75" ball valves

**Model 2904 Vapour Check Valve**



**Operating Conditions**

Design Pressure	35 mBar G min
Design Pressure	-15°C / +65°C
Seal Material	VITON BUNA N

Dn.	A	B
3"	43	118
4"	43	136