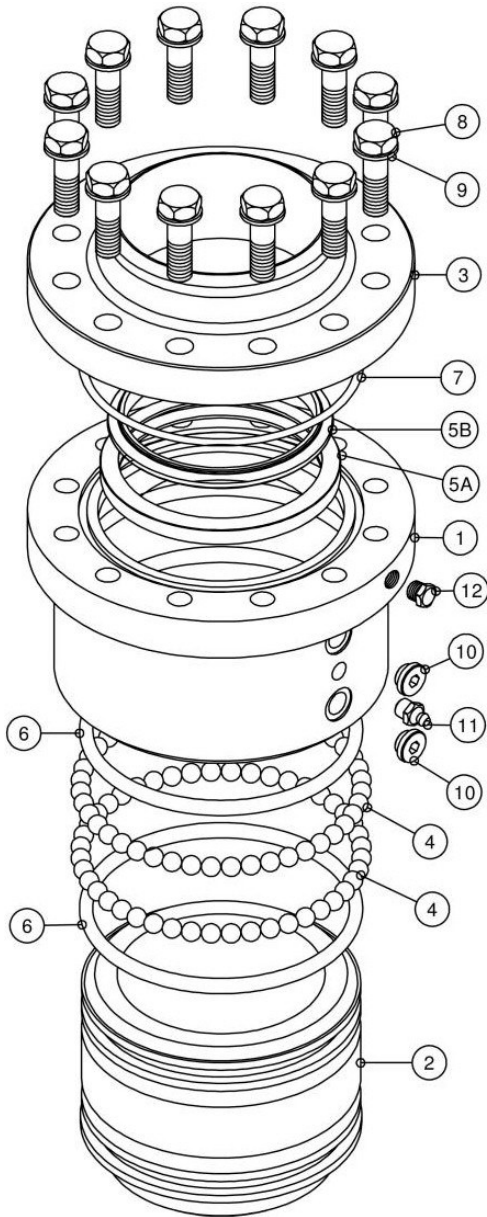


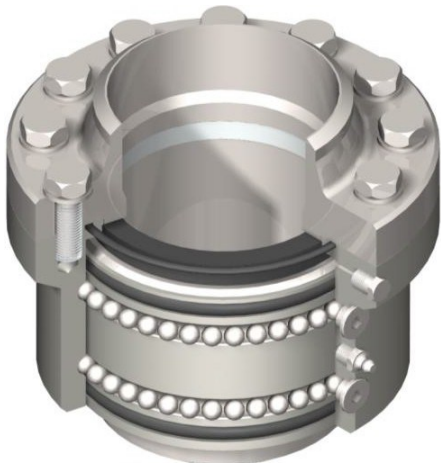
EWFM

Swivel Joint - Model 2815-C - Carbon Steel / AISI 316 L Standard Construction

Exploded View



Assembled View



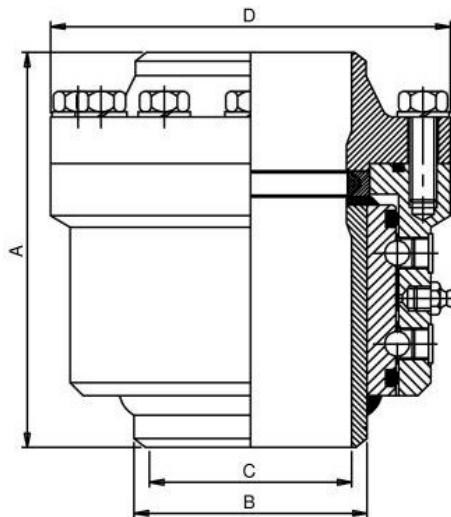
Standard Features:

The Model 2815-C is a 3 piece design with hardened and grinded raceways. It has a primary seal "C" profile with AISI 316L inner and sealing surface. It has a high loading capacity and is manufactured for easy swiveling and seal replacement.

Part List

Item	Description	Qty	Material
1	Body	1	Carbon Steel
2	Sleeve	1	Carbon Steel / AISI 316L
3	Body Flange	1	AISI 316L
4	Balls		Carbon Steel
5A	Primary Seal	1	Viton / BUNA N / Kalrez
5B	Primary Seal Internal Ring	1	Alu.Alloy / S.S
6	Grease O'Ring	2	BUNA N / Viton
7	Flange O'Ring	1	BUNA N / Viton
8	Flange Screws		Carbon Steel
9	Washers		Carbon Steel
10	Ball Plugs	2	AISI 303
11	Grease Nipple	1	Carbon Steel
12	Leak detector plug	1	AISI 304

Primary Dimensions



Size	A	B	C	D	Kg	Design Pressure
2"	129	60.3	52	118	5.7	40 Bar G
3"	152.5	88.9	78	154	10.3	40 Bar G
4"	166	114.3	102	190	15.2	40 Bar G