

EWFM

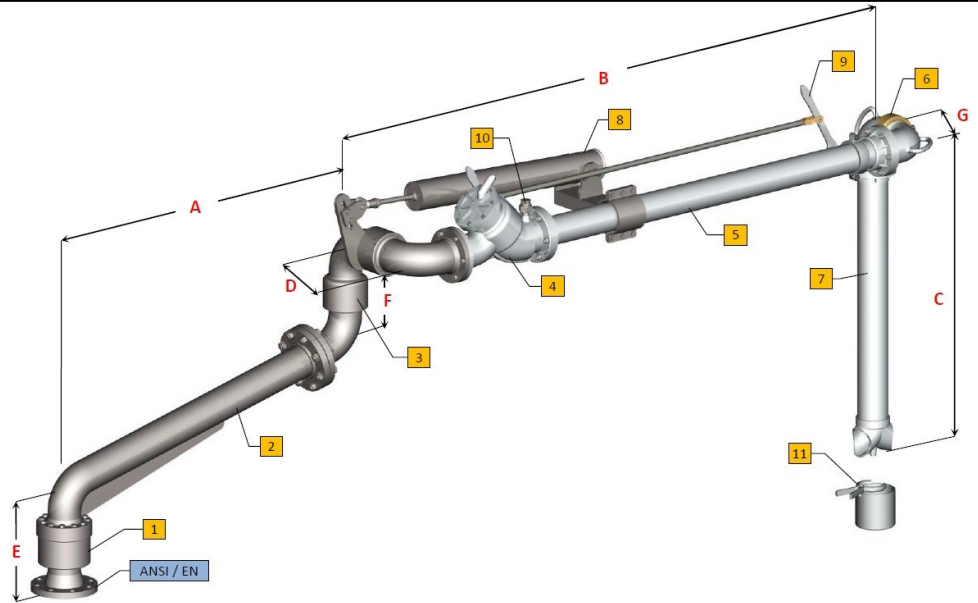
Loading and Unloading Arms - Long Range Top Loading Arm with sloped unsupported boom - Model 2633

Operating Conditions:

Design Pressure:	10.0 Bar G
Test Pressure:	15.0 Bar G
Design Temperature:	-15° C / +65°C
Seal Material:	VITON Nitrile (BUNA N) Special VITON (*)
Flow Rate:	3" – 75 mc/h Max 4" – 125 mc/h Max

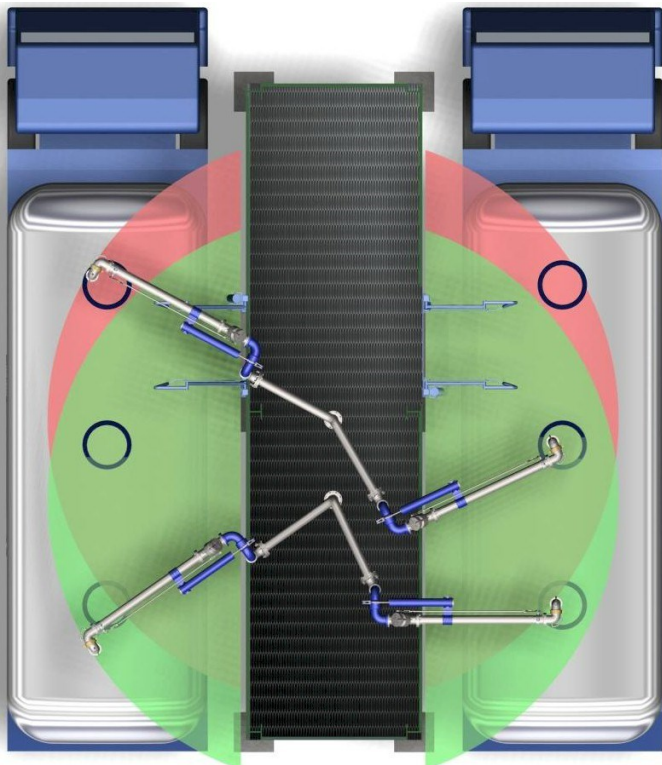
Standard Dimensions

Dn.	3"	4"
A	1500/2500	1500/2500
B	2000/3000	2000/3000
C	1600	1600
D	296	353
E	318	375
F	296	353
G	174	201
Weight	125	165



Item	Description	Dwg / Mod
1	Style 30 Base Swivel Joint	2174-HD
2	Boom assembly	-
3	Style 70 Double Swivel Joints	2174
4	Loading Valve (stay/hold-open)	504
5	Primary Arm	-
6	Drop Tube Swivel	536
7	Drop Tube with "T" deflector	2359-T
8	Spring Balancing Cylinder	05182
9	Valve Remote Control	2356
10	3/8" NPT Vacuum Breaker	2336
11	Nipper Drip Bucket	2408

Demonstration of operating area



Options:

- Pos.7 with flute beak end (2359-BF)
- Pos.7 with flow deflector (2359-D)
- Microswitch to signal valve opened/closed
- Rotational microswitches to signal arm side in use
- Locking device for arm in parking position
- (*) Suitable for BIO-Products
- Overfill level sensor
- NDT test (RT-PT-MT) available on request

Notes:

- Earthing continuity along the arm, according to ATEX directive