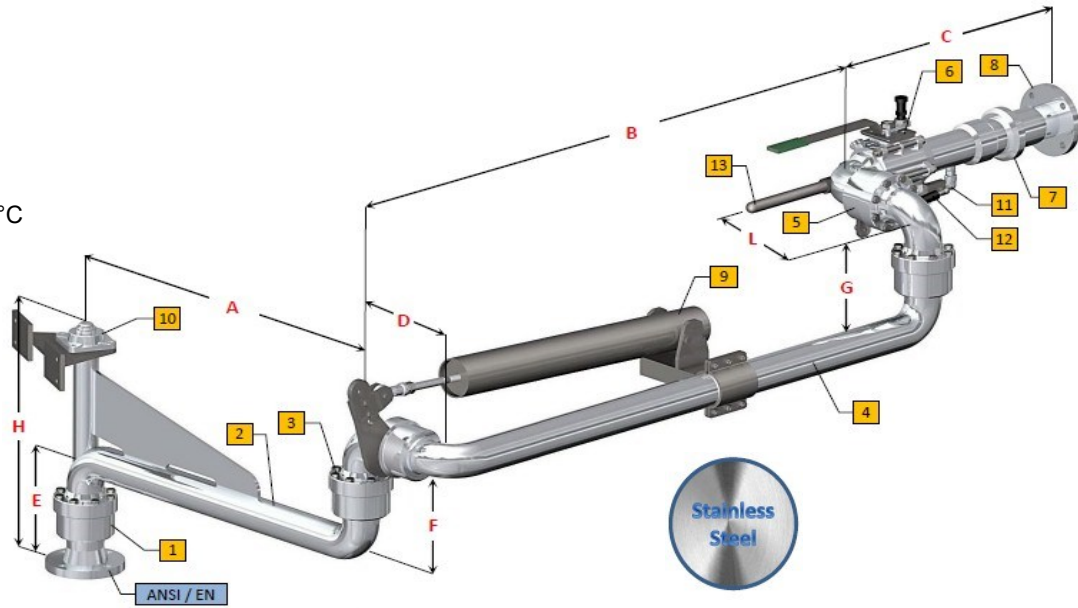


# EWFM

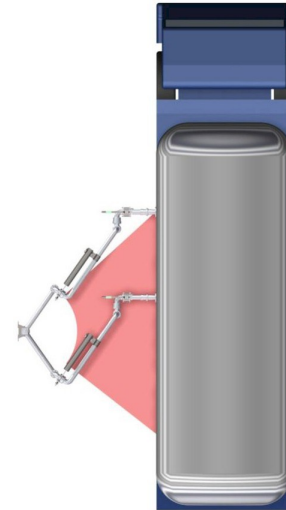
## Loading and Unloading Arms - Triple range bottom unloading arm - Model 2455-BC

### Operating Conditions:

<b>Design Pressure:</b>	10.0 Bar G
<b>Test Pressure:</b>	15.0 Bar G
<b>Design Temperature:</b>	-15° C / +65°C
<b>Seal Material:</b>	PTFE



### Demonstration of operating area



Item	Description	Dwg / Mod
1	Style 30 base swivel joint	2833/SS-2815-3885
2	Boom assembly	-
3	Style 70 double swivel joint	2833/SS-2815-3885
4	Primary arm	-
5	Style 70 double swivel joint	2833/SS-2815-3885
6	Manual ball valve with locking device	-
7	Safety breakaway coupling	-
8	ANSI/EN loose flange	-
9	Spring balancing cylinder	05182
10	Pillow block	C-4354
11	1/2" drain valve + hose + ANSI/EN flange	-
12	Gas spring balancer	-
13	Handle	-

### Standard Dimensions

Dn.	2" x 2"	3" x 3"	4" x 4"
<b>A</b>	1500	1500	1500
<b>B</b>	1800	1800	1800
<b>C</b>	600	750	800
<b>D</b>	285	309	373
<b>E</b>	273	303	348
<b>F</b>	285	309	373
<b>G</b>	285	309	373
<b>H</b>	600	650	700
<b>L</b>	285	309	373
<b>Weight</b>	120	160	230

### Options:

- Final arm nitrogen purge valve
- Locking device arm in parking position
- Dry-disconnect coupling or quick coupling
- Flange bracket
- NDT test (RT-PT-MT) available on request

### Notes:

- Earthing continuity along the arm, according to ATEX directive
- 2833/SS swivels AISI 316-L total construction
- 2815 swivels with AISI 316-L internal parts and sealing surfaces and carbon steel supporting parts