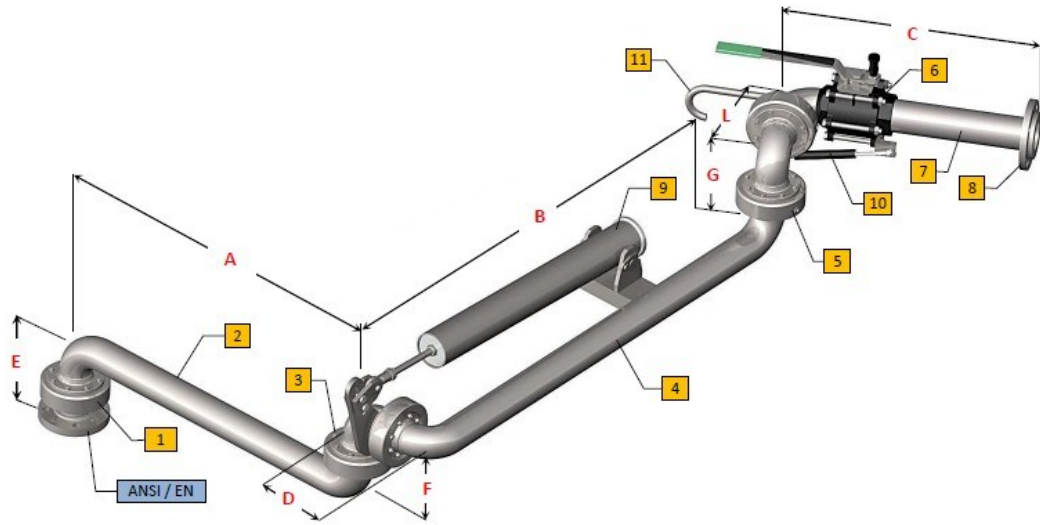


# EWFM

## Loading and Unloading Arms - Long Range Top Loading Arm - Model 2454-BC

### Operating Conditions:

<b>Design Pressure:</b>	10.0 Bar G
<b>Test Pressure:</b>	15.0 Bar G
<b>Design Temperature:</b>	-15° C / +65°C
<b>Seal Material:</b>	VITON
	Special VITON (*)

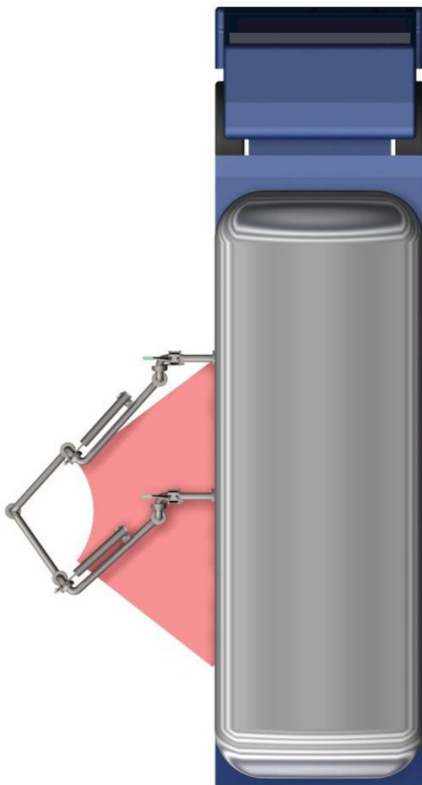


### Standard Dimensions

Dn.	3"	4"	6"
A	1500	1500	1500
B	1800	1800	1800
C	600	650	700
D	250	312	469
E	243	288	405
F	250	312	469
G	250	312	469

Item	Description	Dwg / Mod
1	Style 30 Base Swivel Joint	3996-WN
2	Boom assembly	-
3	Style 70 double swing joint	3996-WN
4	Primary Arm	-
5	Style 70 double swing joint	3996-WN
6	Ball valve with locking device in closed position	-
7	Final arm	-
8	Loose flange	-
9	Spring balancing cylinder	05182
10	Gas spring balancer	-
11	Handle	-

### Demonstration of operating area



### Notes:

- Earthing continuity along the arm, according to ATEX directive

### Options:

- Safety breakaway coupling OMC 4222 Mod.
- Locking device arm in parking position
- Dry-disconnect coupling instead flange (pos.8)
- Standpost and pillow block for arm supporting
- Support foot (only with style 40 base swivel)
- Sight glass installed on pos.7
- (\*) Suitable for BIO-Products
- NDT test (RT-PT-MT) available on request

