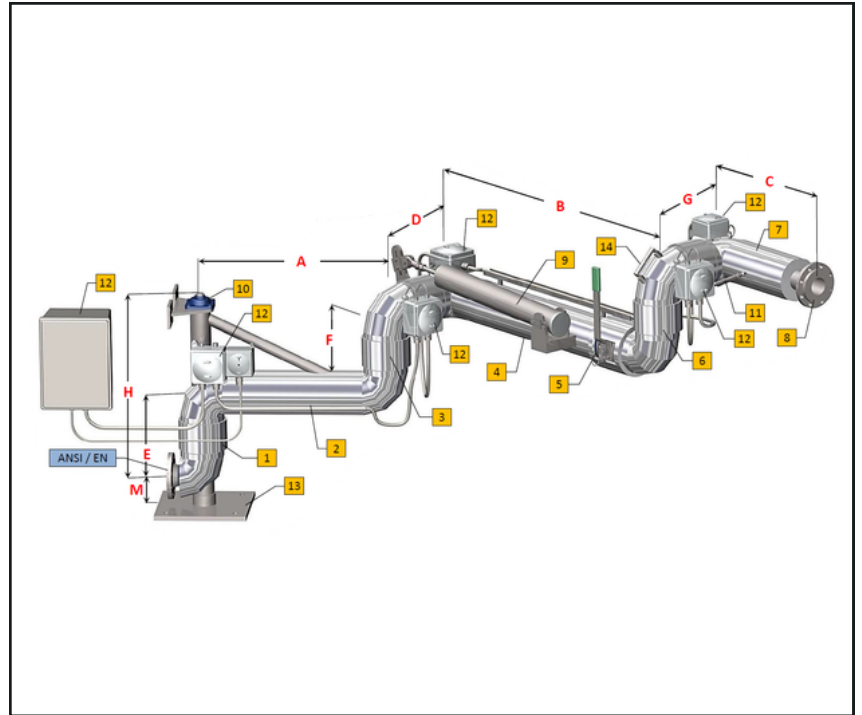


Model 2454-BC/TRC

Electrically Heated Triple Range Bottom Unloading Arm

Part List		
Pos.	Description	Model
1	Style 40 Base Swivel Joint	2833
2	Boom Assembly	
3	Style 70 Double Swivel Joint	2833
4	Primary Arm	
5	Ball Valve with Locking Device (Closed)	
6	Style 70 Final Swivel Joint	2175-2833
7	Final Arm	
8	Final Loose Flange	
9	Spring Balancing Cylinder	05182
10	Pillow Block	4354
11	Gas Spring Balancer	
12	Ex-d box for the Heating System	
13	Support Base Plate	
14	Handle	

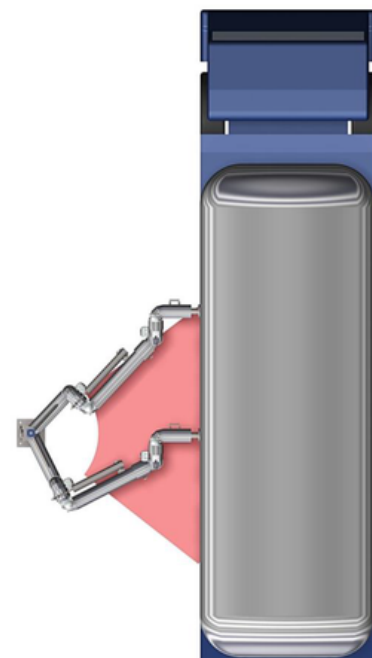


Standard Dimensions			
Dia	3"	4"	6"
A	1000÷1500	1000÷1500	1000÷1500
B	1500÷2000	1500÷2000	1500÷2000
C	650	750	524
D	312	375	524
E	312	375	524
F	312	375	524
G	312	375	524
H	700	800	1000
L	312	375	524
M	150	150	150
Weight	300	400	520

Operating Conditions

Design Pressure	0.5 Bar G
Test Pressure	1.0 Bar G
Design Temperature	-15°C/+200°C
Seal Material	PTFE

Demonstration of Operating Area



Options:

- Insulation up to the final swivel joint
- Locking device for the arm in parking position
- Additional support standpost
- Non-destructive tests (RT-PT-MT) available on request

Notes:

- Earthing continuity along the arm, according to the ATEX directive.