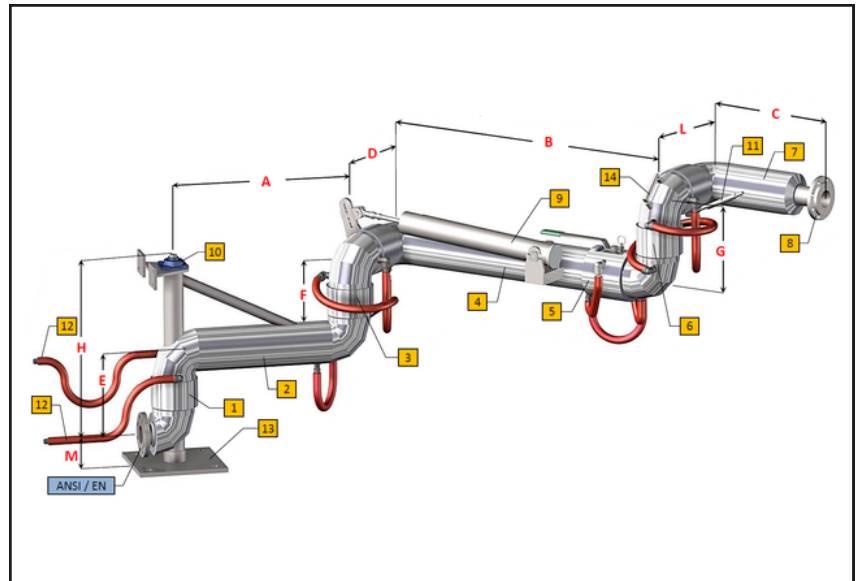


Model 2454-BC/Jack

Triple Range Jacketed Bottom Un/Loading Arm

Part List		
Pos.	Description	Model
1	Style 40 Jacketed base Swivel Joint	2833
2	Boom Assembly (Liquid line + Jacket)	
3	Style 70 Jacketed Double Swivel Joint	2833
4	Primary Arm (Liquid Line + Jacket)	
5	Jacketed Ball Valve with Locking Device	
6	Style 70 Jacketed Final Swivel Joint	2833
7	Jacketed Final Arm	
8	Loose Flange	
9	Spring Balancing Cylinder	05182
10	Pillow Block	4354
11	Gas Spring Balancer	
12	Steam Hoses (Inlet and Outlet)	
13	Base Support	
14	Handle	

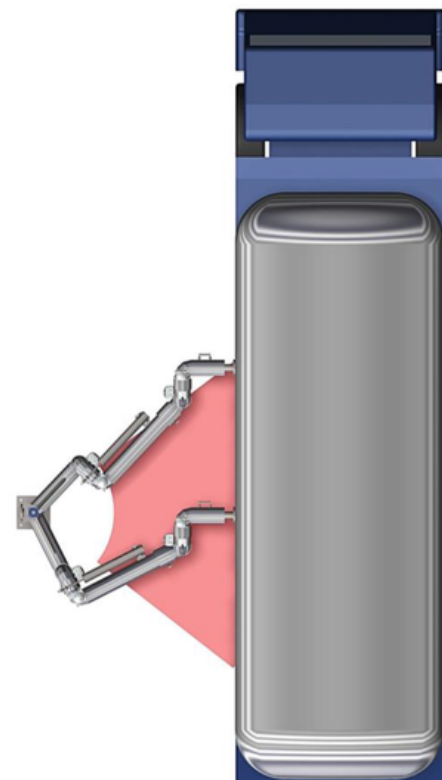


Operating Conditions

Design Pressure	5.0 Bar G
Test Pressure	7.5 Bar G
Design Temperature	-15°C / +200°C
Seal Material	PTFE

Standard Dimensions			
Dia	2" x 3"	3" x 4"	4" x 6"
A	1000÷1500	1000÷1500	1000÷1500
B	1500÷2000	1500÷2000	1500÷2000
C	650	750	800
D	312	375	524
E	312	375	524
F	312	375	524
G	312	375	524
H	700	800	1000
L	312	375	524
M	150	150	200
Weight	300	400	520

Demonstration of Operating Area



Options:

- Support standpost
- Insulation up to the final arm
- Locking device for the arm in parking position
- Non-destructive tests (RT-PT-MT) available on request

Notes:

- Earthing continuity along the arm, according to the ATEX directive.