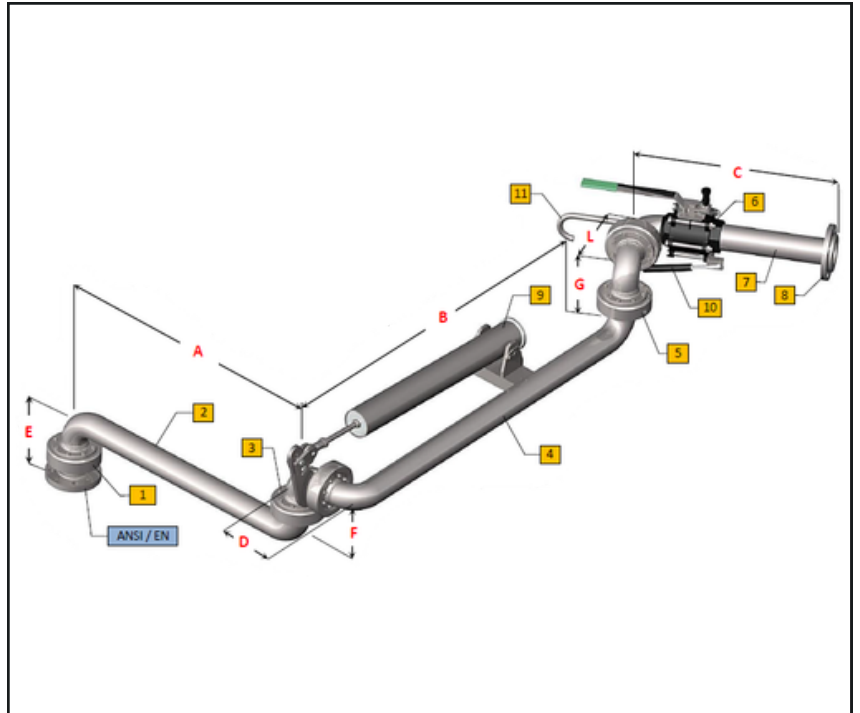


Model 2454-BC

Triple Range Bottom Un/Loading Arm

Part List		
Pos.	Description	Model
1	Style 30 Base Swivel Joint	3996-WN
2	Boom Assembly	
3	Style 70 Double Intermediate Swivel Joint	3996-WN
4	Primary Arm	
5	Style 70 Double Final Swivel Joint	3996-WN
6	Ball Valve with Locking Device in Closed Position	
7	Final Arm	
8	Loose Flange	
9	Spring Balancing Cylinder	05182
10	Gas Spring Balancer	
11	Handle	

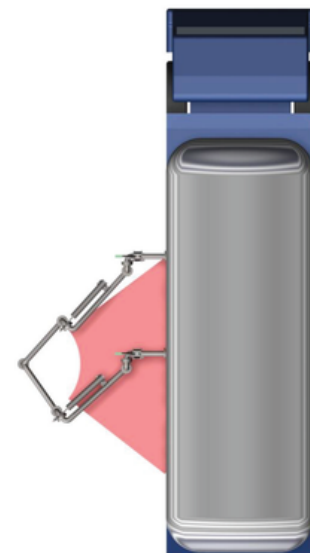


Standard Dimensions			
Dia	3"	4"	6"
A	1500	1500	1500
B	1800	1800	1800
C	600	650	700
D	250	312	469
E	243	288	405
F	250	312	469
G	250	312	469
L	250	312	469
Weight	160	180	300

Operating Conditions

Design Pressure	10.0 Bar G
Test Pressure	15.0 Bar G
Design Temperature	-15°C / +65°C -40°C / +65°C
Seal Material	VITON® BUNA N Special VITON® (*)

Demonstration of Operating Area



Options:

- Model 4222 safety breakaway coupling to prevent pull-away accidents
- Dry-disconnect coupling instead of the final loose flange (pos. 8)
- Locking device for the arm in parking position
- Standpost and pillow block to support the arm
- Support foot with style-40 base swivel joint
- Sight glass in proper position (pos. 7)
- Non-destructive tests (RT-PT-MT) available on request
- (*) suitable for **BIO** or **Low-Temperature** products

Notes:

- Earthing continuity along the arm, according to the ATEX directive.