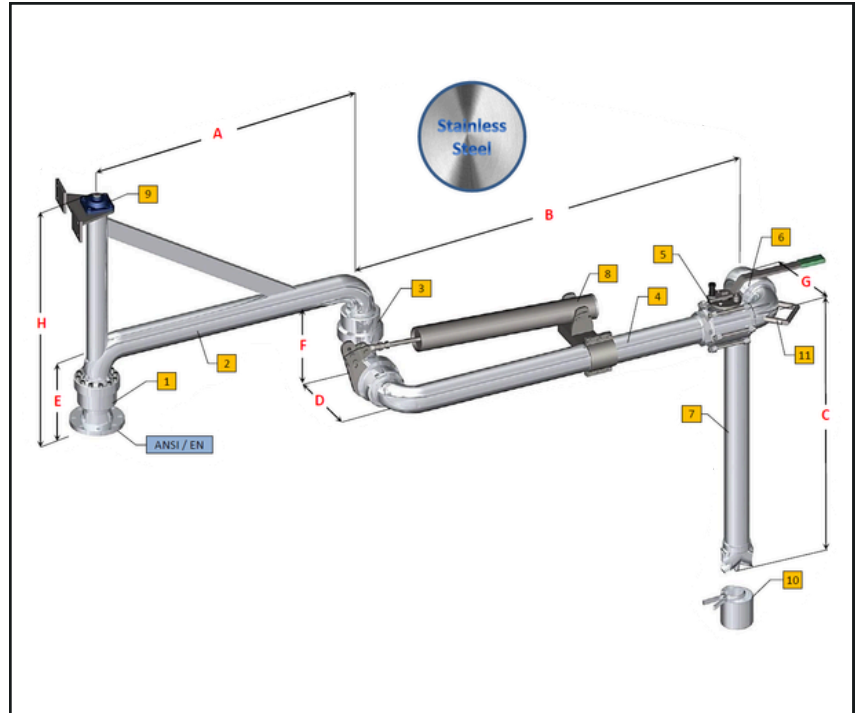


Model 2385-LR

Long Range Top Loading Arm

Part List		
Pos.	Description	Model
1	Style 30 Base Swivel Joint	2833 / SS-2815-3885
2	Boom Assembly	
3	Style 70 Double Swivel Joint	2833 / SS-2815-3885
4	Primary Arm	
5	Fire Safe Full Bore Ball Valve	
6	Style 40 Final Swivel Joint	2175-2833 / SS-2815-3885
7	Drop Tube with "T" deflector	2359-T
8	Spring Balancing Cylinder	05182
9	Pillow Block	4354
10	Drip Bucket	2408
11	Handle	

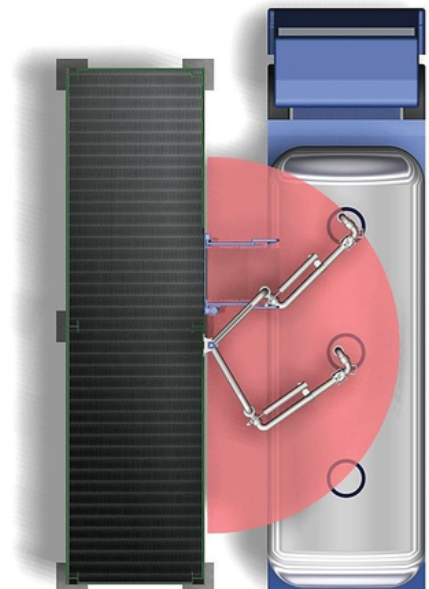


Standard Dimensions			
Dia	2"	3"	4"
A	1500	1500	1500
B	2000	2000	2000
C	1600	1600	1600
D	310	347	424
E	273	303	348
F	285	309	373
G	257	279	343
H	1000	1000	1000
Weight	110	170	250

Operating Conditions

Design Pressure	10.0 Bar G
Test Pressure	15.0 Bar G
Design Temperature	-15°C / +65°C
Seal Material	PTFE (FDA approved)
Flow Rate	2" – Up to 35 m ³ /h Max 3" – Up to 75 m ³ /h Max 4" – Up to 125 m ³ /h Max

Demonstration of Operating Area



Options:

- Pos. 5 with "flute beak" end (2359-BF)
- Microswitch to signal the valve status (open/closed)
- Ball valve installed at the beginning of the primary arm, with remote control unit and vacuum breaker to ease the drainage
- Overfill level sensor applied on the drop tube
- Locking device for the arm in parking position
- Non-destructive tests (RT-PT-MT) available on request
- Internal **polished surfaces** on request

Notes:

- Earthing continuity along the arm, according to the ATEX directive.
- Model 2833/SS Swivel Joints made entirely from AISI 316-L stainless steel.
- Model 2815 Swivel Joints with AISI 316-L stainless steel internal parts and sealing surfaces and carbon steel external body.
- Model 3885 Swivel Joints made entirely from AISI 316-L stainless steel.