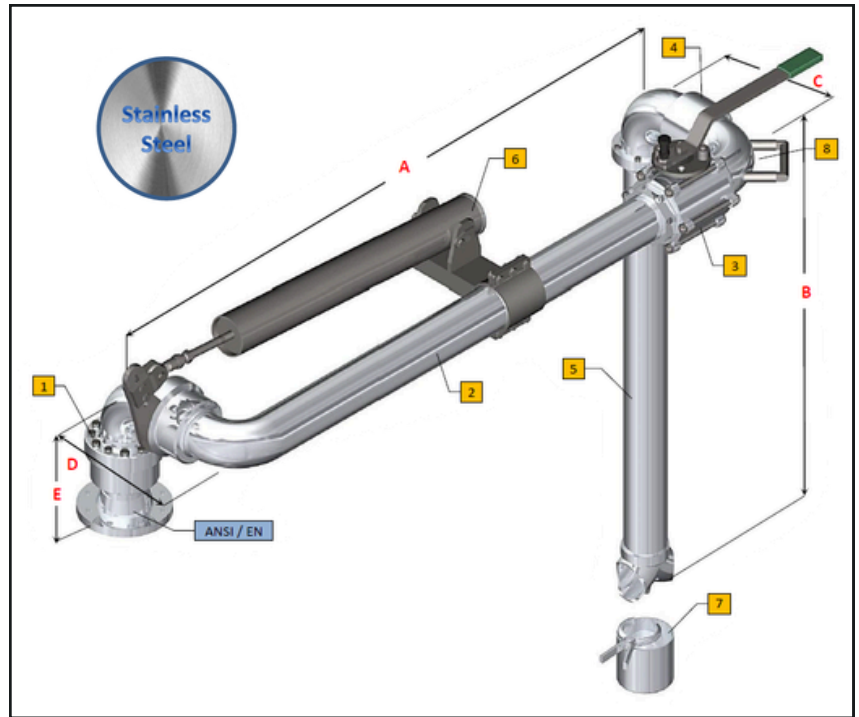


# Model 2385

## Fixed Range Top Loading Arm

Part List		
Pos.	Description	Model
1	Style 50 Double Swivel Joint	2833 / SS-2815-3885
2	Primary Arm	
3	Fire Safe Full Bore Ball Valve	
4	Style 40 Drop Tube Swivel Joint	2175-2833 / SS-2815-3885
5	Drop Tube with "T" deflector	2359-T
6	Spring Balancing Cylinder	05182
7	Drip Bucket	2408
8	Handle	



Standard Dimensions			
Dia	2"	3"	4"
A	1800÷2500	1800÷2500	1800÷2500
B	1600	1600	1600
C	207	279	343
D	285	309	373
E	273	303	348
Weight	80	120	170

### Operating Conditions

<b>Design Pressure</b>	10.0 Bar G
<b>Test Pressure</b>	15.0 Bar G
<b>Design Temperature</b>	-15°C / +65°C
<b>Seal Material</b>	PTFE (FDA approved)
<b>Flow Rate</b>	2" – Up to 35 m <sup>3</sup> /h Max 3" – Up to 75 m <sup>3</sup> /h Max 4" – Up to 125 m <sup>3</sup> /h Max

### Options:

- Pos. 5 with "flute beak" end (2359-BF)
- Microswitch to signal the valve status (open/closed)
- Ball valve installed at the beginning of the primary arm, with remote control unit and vacuum breaker to ease the drainage
- Overfill level sensor applied on the drop tube
- Locking device for the arm in parking position
- Non-destructive tests (RT-PT-MT) available on request
- Internal **polished surfaces** on request

### Notes:

- Earthing continuity along the arm, according to the ATEX directive.
- Model 2175/SS Swivel Joints made entirely from stainless steel.
- Model 2833/SS Swivel Joints made entirely from AISI 316-L stainless steel.
- Model 2815 Swivel Joints with AISI 316-L stainless steel internal parts and sealing surfaces and carbon steel external body.
- Model 3885 Swivel Joints made entirely from AISI 316-L stainless steel.

### Demonstration of Operating Area

