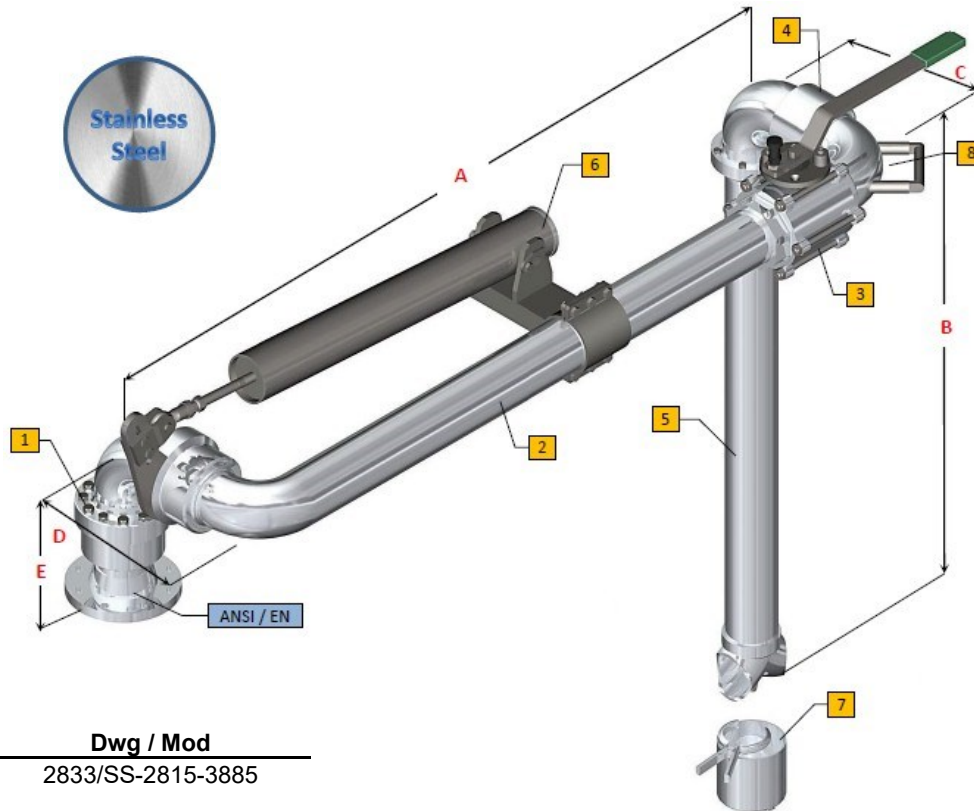


EWFM

Loading and Unloading Arms - Fixed range top loading arm for food service - Model 2385

Operating Conditions:

Design Pressure:	10.0 Bar G
Test Pressure:	15.0 Bar G
Design Temperature:	-15° C / +65°C
Seal Material:	PTFE
Flow Rate:	2" - 35 mc/h Max
	3" - 75 mc/h Max
	4" - 125 mc/h Max



Item	Description	Dwg / Mod
1	Style 50 base swivel joint	2833/SS-2815-3885
2	Primary arm	-
3	Fire safe (full-bore) ball valve	-
4	Style 40 drop tube swivel	2175-2833/SS-2815-3885
5	Drop tube with "T" deflector	2359-T
6	Spring balancing cylinder	05182
7	Nipper drip bucket	2408
8	Handle	-

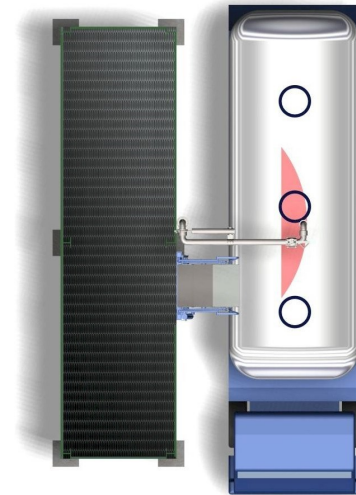
Standard Dimensions

Dn.	2"	3"	4"
A	1800/2500	1800/2500	1800/2500
B	1600	1600	1600
C	207	279	343
D	285	309	373
E	273	303	348
Weight	80	120	170

Notes:

- Earthing continuity along the arm, according to ATEX directive
- 2833/SS swivels AISI 316-L total construction
- 3885 swivels AISI 316-L total construction
- 2815 swivels with AISI 316-L internal parts and sealing surfaces and carbon steel supporting parts

Demonstration of operating area



Options:

- Pos.5 with flute beak end (2359-BF)
- Microswitch to signal valve opened/closed
- Ball valve installed at the beginning of the primary arm, with remote control and vacuum breaker
- Overfill level sensor installed on positional spider
- Locking device arm turned in parking position
- Polished internal surfaces on request
- NDT test (RT-PT-MT) available on request