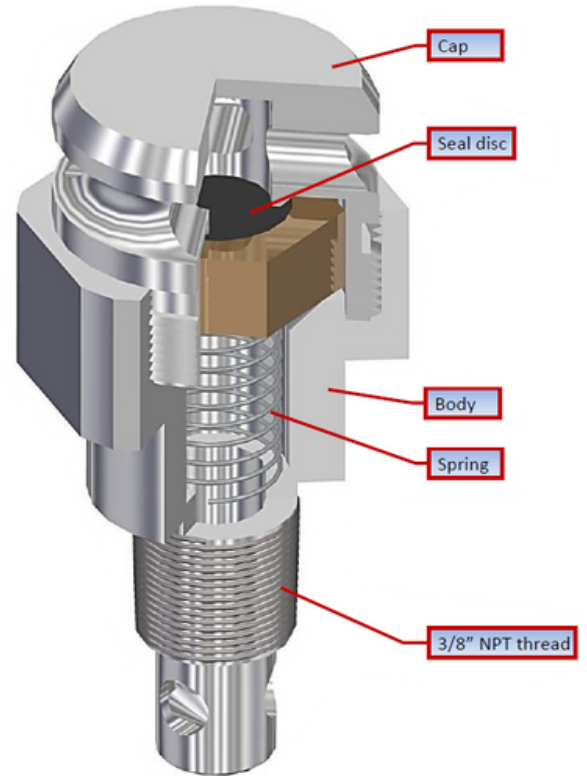


# Vacuum Breakers - Model 2336 and 2361

The Vacuum Breaker is designed to permit the complete drainage of the product after the valve from the Top Loading Arm, at the end of the loading. This is a for standard top loaders.

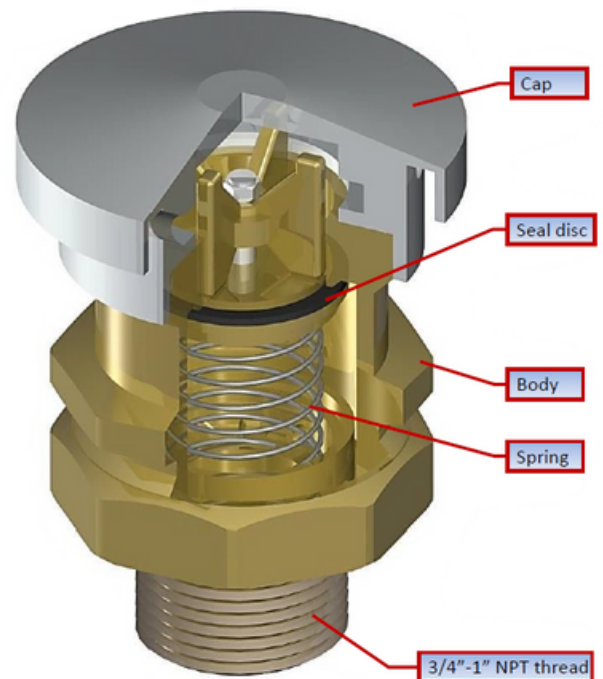
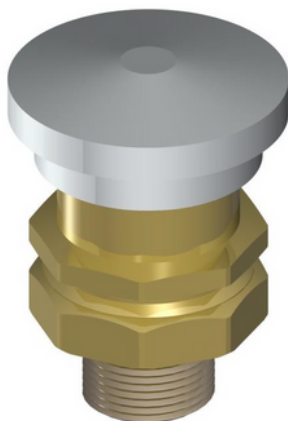
- **2336:** NI-platted brass construction - Suitable for Hydrocarbons
- **2336:** AISI 316-L construction - Suitable for Chemicals



## Operating Conditions

Diameter	3/8" NPT Thread
Design Pressure	10 Bar G
Vacuum for Opening	57 mbar (30 mbar on special request)
Seal Material	Viton (Brass) - VITON / Kalrez (AISI 316-L)

- **2361:** NI-platted brass/aluminium construction - Suitable for Hydrocarbons



## Operating Conditions

Diameter	3/4" - 1" NPT Thread
Design Pressure	10 Bar G
Vacuum for Opening	20 mbar
Seal Material	VITON