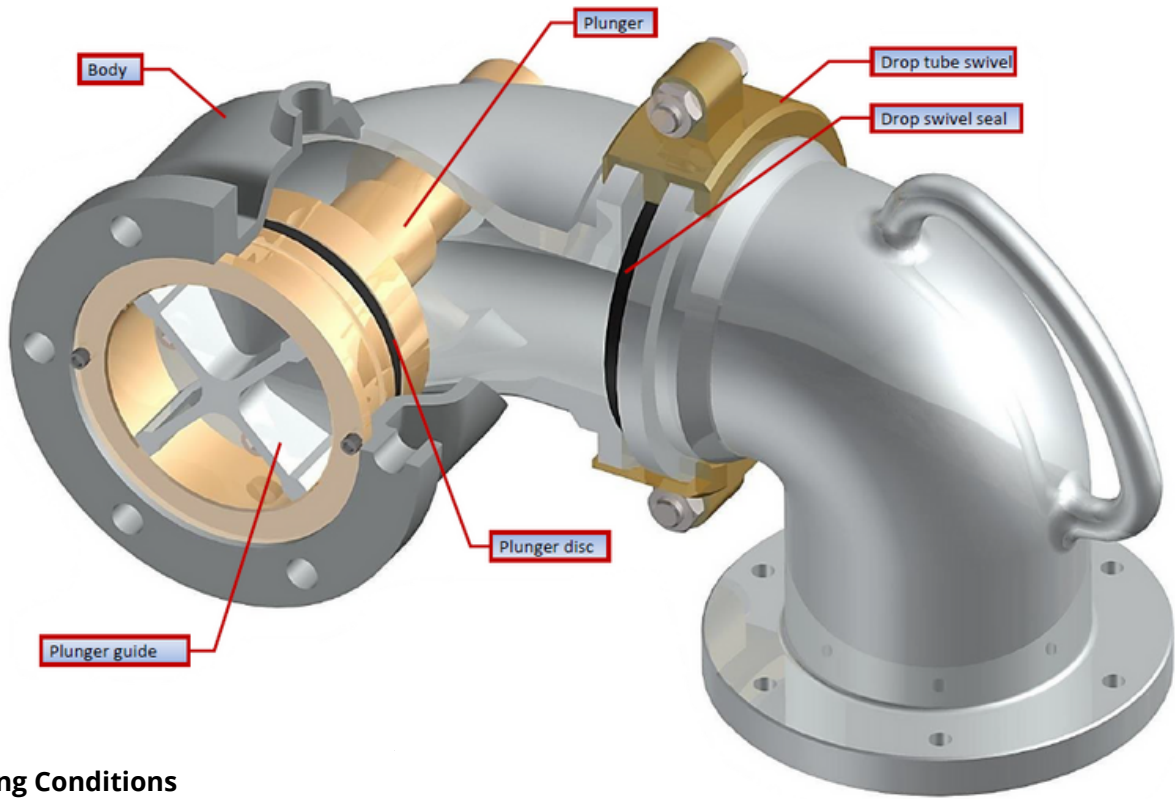


Check Valve with Drop Tube - Model 2289



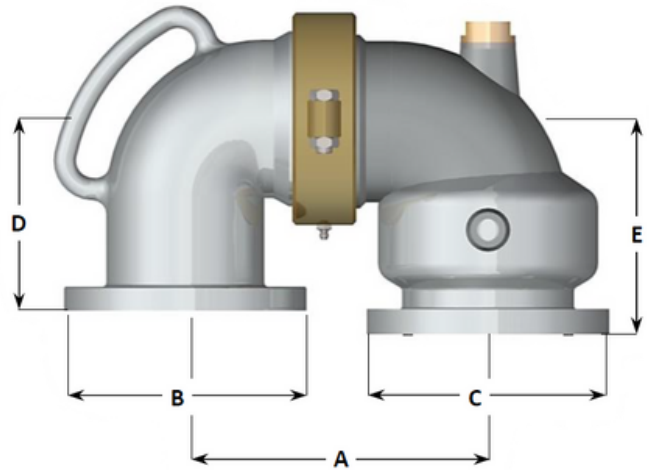
Operating Conditions

Design Pressure 10.0 Bar G Max

Design Temperature -15°C / +65°C

Seal Material
VITON
Buna N

Flow Rate
3" - 75 mc/h Max
4" - 125 mc/h Max



Standard Dimensions

Dn.	A	B*	C*	D	E	Weight
3"	190	128	154	128	140	10.0 Kg
4"	220	159	175	138	150	15.0 Kg

Notes:

- (*) T.T.M.A. flanges is available on request