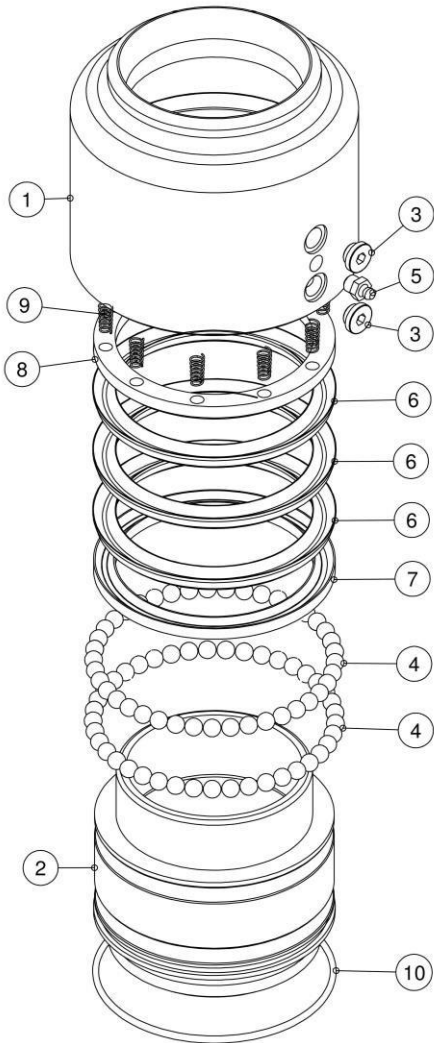


# 2174 SERIES

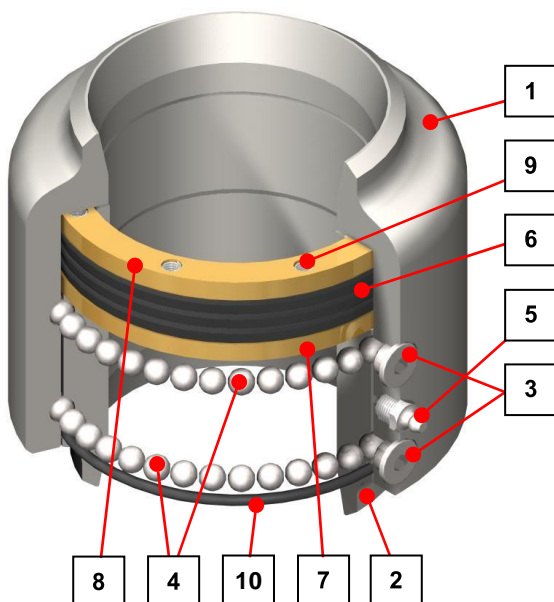
## Model 2174 swivel joint

Standard Carbon Steel construction

**Exploded View**



**Assembled View**



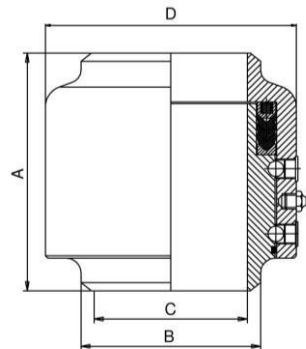
**STANDARD FEATURES:**

- 2 piece design
- Hardened and ground raceways
- Triple "V" ring seals
- High loading capacity
- Easy swiveling

**Part List**

Item	Description	Q.ty	Material
1	Body	1	Carbon Steel
2	Sleeve	1	Carbon Steel
3	Ball plugs	2	AISI 303
4	Balls		Carbon Steel
5	Grease nipple	1	Carbon Steel
6	"V" ring seals	3	BUNA N/VITON
7	Female adapter	1	Bronze/Aluminium
8	Spring adapter	1	Bronze/Aluminium
9	Springs		INOX
10	Grease O'Ring	1	BUNA N/VITON

**Primary Dimensions**



Size	A	B	C	D	Kg	Design Pressure
1"	96.5	33.4	26.5	62	2.1	40 Bar G
1.1/2"	115	48.3	40	85	2.7	40 Bar G
2"	115	60.3	51	94	3.2	40 Bar G
2.1/2"	125	73	63	113	5.2	40 Bar G
3"	139.5	88.9	78	124	6	40 Bar G
4"	146	114.3	102	156	9.8	40 Bar G
6"	216.5	168.3	152	225	26.6	25 Bar G