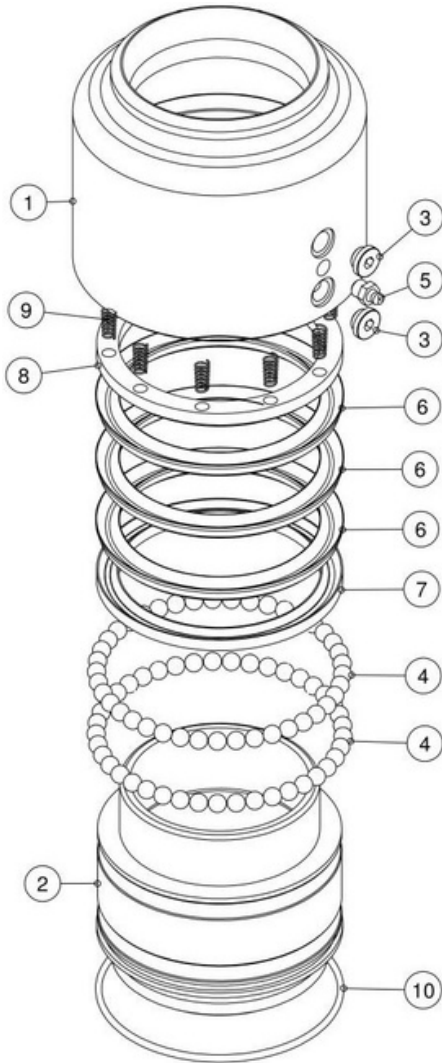


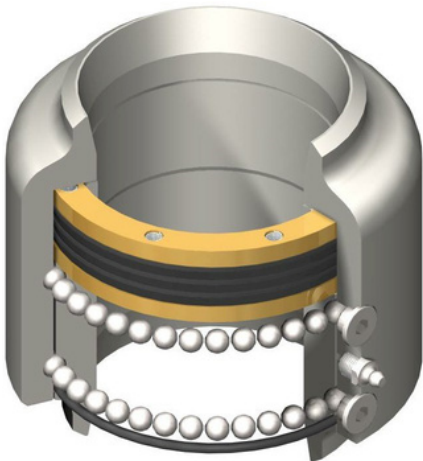
Model 2174 Swivel Joint

Carbon Steel Standard Construction

Exploded View



Assembled View



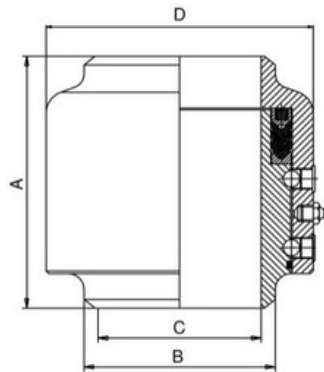
Standard Features:

The Model 2174 carbon steel Swivel Joint is a 2 piece design with hardened and ground raceways. It has triple "V" ring seals with a high loading capacity. The design of this Swivel Joint allows for easy swivelling.

Part List

Item	Description	Quantity	Material
1	Body	1	Carbon Steel
2	Sleeve	1	Carbon Steel
3	Ball Plugs	2	AISI 303
4	Balls		Carbon Steel
5	Grease Nipple	1	Carbon Steel
6	"V" Ring Seals	3	BUNA N / VITON
7	Female Adapter	1	Bronze / Aluminium
8	Spring Adapter	1	Bronze / Aluminium
9	Springs		INOX
10	Grease O'Ring	1	BUNA N / VITON

Primary Dimensions



Size	A	B	C	D	Kg	Design Pressure
1"	96.5	33.4	26.5	62	2.1	40 Bar G
1.5"	115	48.3	40	85	2.7	40 Bar G
2"	115	60.3	51	94	3.2	40 Bar G
2.5"	125	73	63	113	5.2	40 Bar G
3"	139.5	88.9	78	124	6	40 Bar G
4"	146	114.3	102	156	9.8	40 Bar G
6"	216.5	168.3	152	225	26.6	25 Bar G