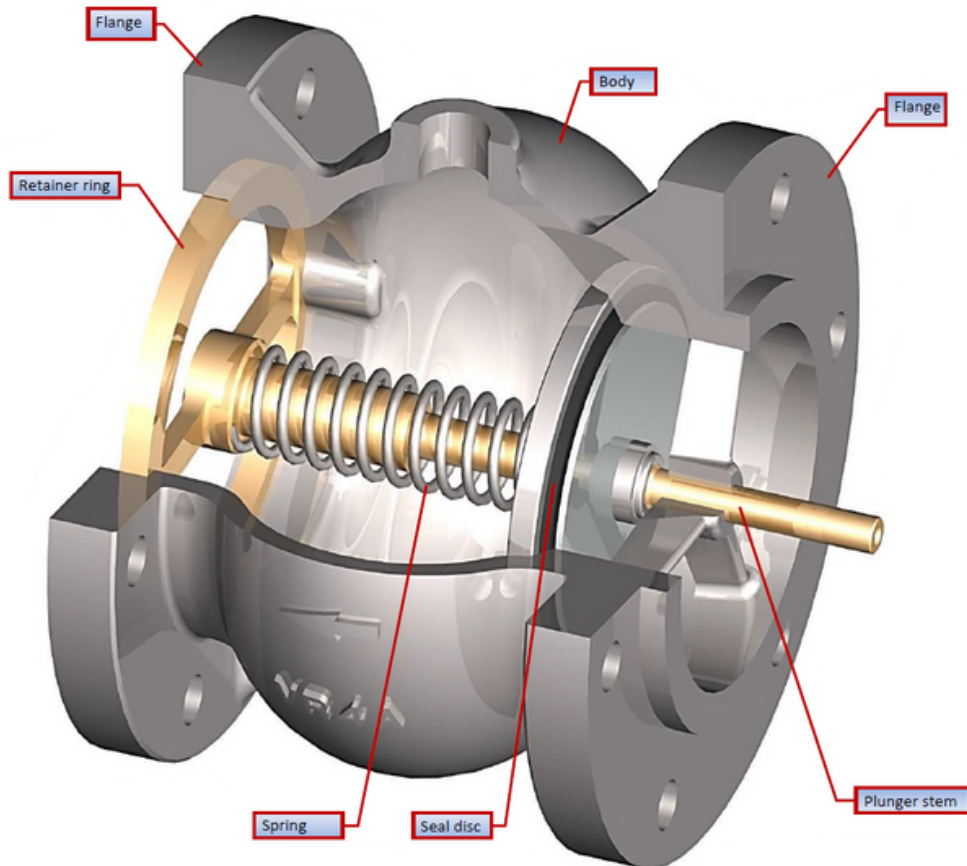


TTMA Check Valve - Model 2141

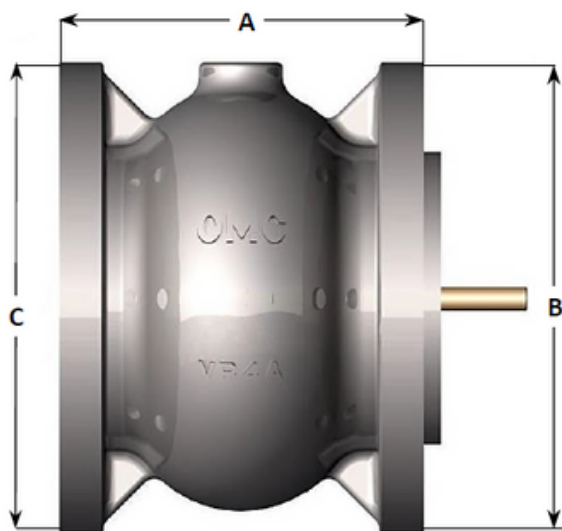


Operating Conditions

Design Pressure 10.0 Bar G Max

Design Temperature -15°C / +65°C

Seal Material VITON
BUNA N



Standard Dimensions

Dn.	A	B*	C*	Weight
3"	114	154	154	2.5 Kg
4"	147	175	175/190	4.0 Kg
6"	184	233	233	6.5 Kg

Notes:

- (*) T.T.M.A. flanges is available on request