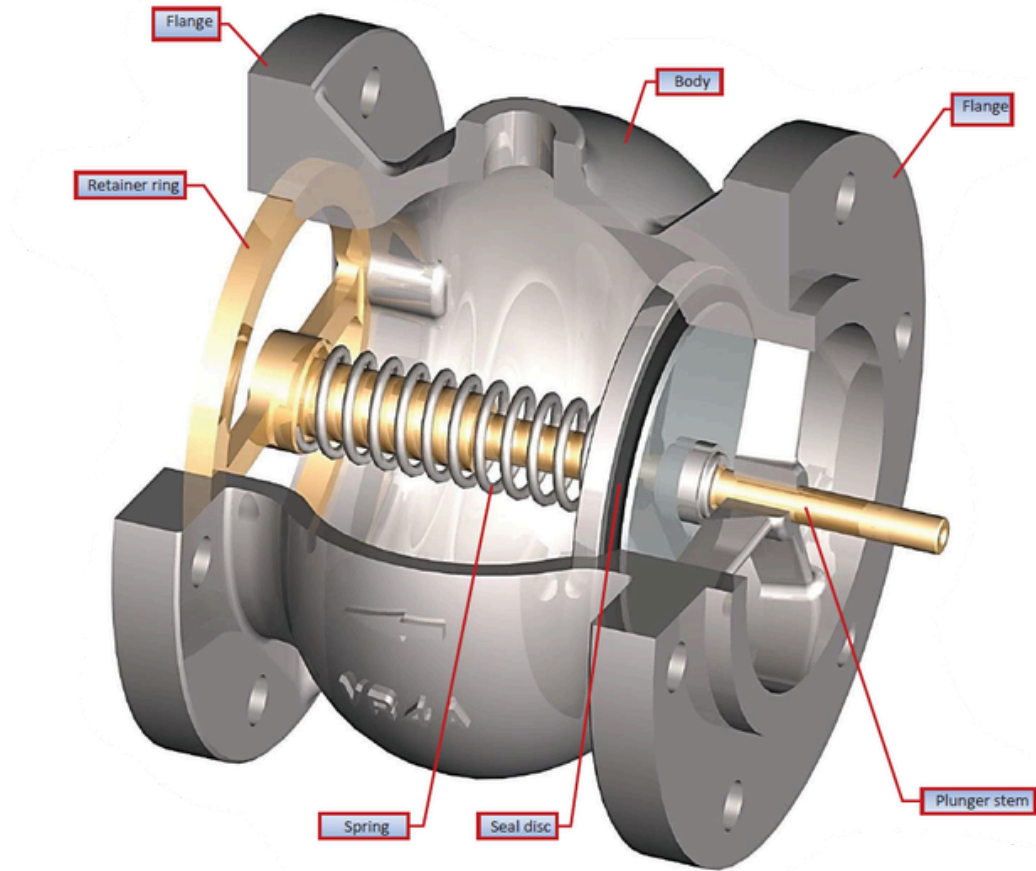


# Model 2141

## Check Valve

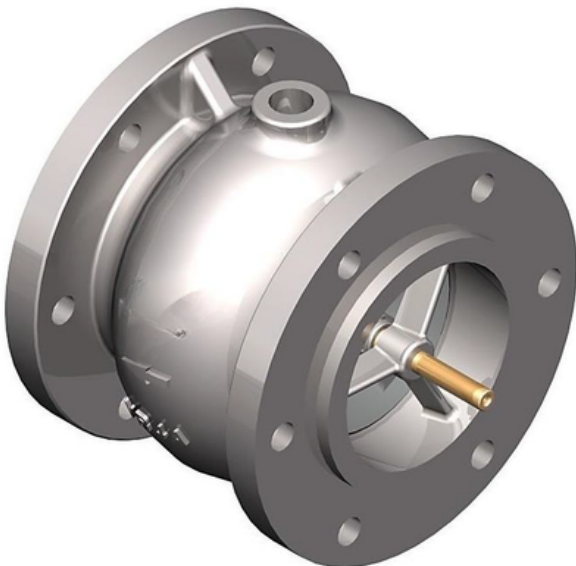
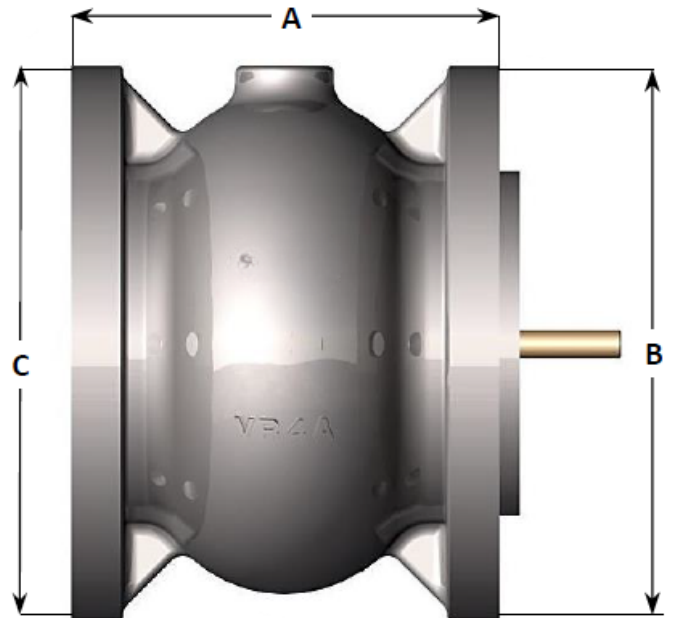


### Operating Conditions

<b>Design Pressure</b>	10.0 Bar G
<b>Design Temperature</b>	-15°C / +65°C
<b>Seal Material</b>	Viton® BUNA N

### Notes:

- (\*) TTMA flanges available on request



Standard Dimensions				
Dia	A	B	C	Weight
3"	114	154	154	2.5 kg
4"	147	175	175 / 190	4.0 kg
6"	184	233	233	6.5 kg