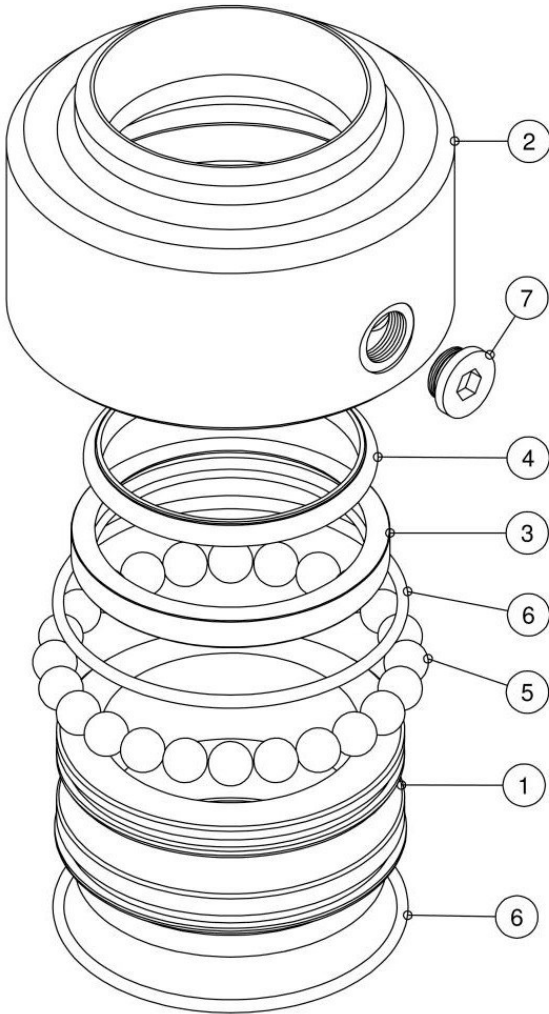


# EWFM

## Swivel Joint - Model 2004 - Carbon Steel Standard Construction

### Exploded View



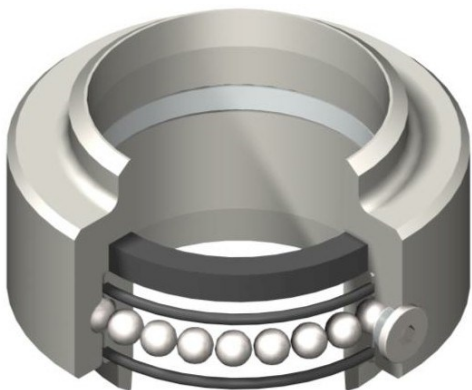
### Standard Features:

The Model 2004 carbon steel standard construction swivel joint is 2 piece design with hardened and grinded raceways. It has a primary seal "C" profile with manufacturing allowing for a easy swiveling motion.

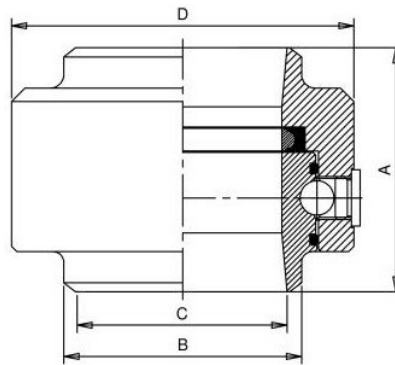
### Part List

Item	Description	Qty	Material
1	Sleeve	1	Carbon Steel
2	Body	1	Carbon Steel
3	Primary Seal	1	BUNA N / VITON
4	Primary Seal Internal Ring	1	Alu.Alloy
5	Balls		Carbon Steel
6	Grease O'Ring	2	BUNA N / VITON
7	Ball Plug	1	AISI 303

### Assembled View



### Primary Dimensions



Size	A	B	C	D	Kg	Design Pressure
3"	91	88.9	78	128	3.7	10 Bar G
4"	95	114.3	102	156	5	10 Bar G