

Manual Folding Stairs

Safe Access

EWFM Safe Access Systems: Protecting your workers in hazardous and high level environments.

The EWFM Manual Step Unit is suitable for all rail and road tanker loading and platform access, and is available in a range of standard sizes to suit many height variations.

Technical Specification

All Units are manufactured and constructed in the UK to the highest quality for long lasting durability and many years of maintenance free operation in harsh environments. Constructed from galvanised mild steel to BS 729 for long lasting durability in harsh environments.

All Units comply with ATEX 95 equipment directive 95/9/EC this concerns the supply and use of equipment in potentially explosive atmospheres.

A hydraulic parking lock is fitted to allow easy operation and enables the unit to be locked in any position within the stroke.

Optional Extras

An optional safety cage can be fitted to any Manual Step Unit which is constructed from galvanised mild steel to BS 729. Sizes and material can be modified.

Support

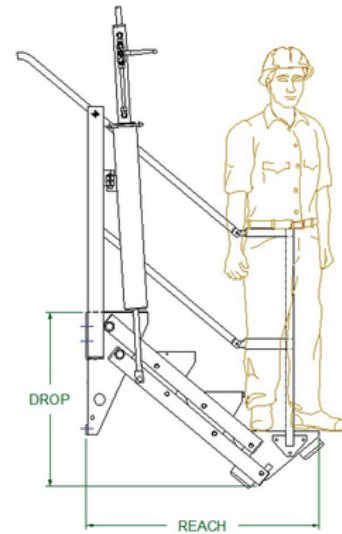
EWFM offer on-going staff training and instruction as well as annual inspection and maintenance contracts.

Delivery

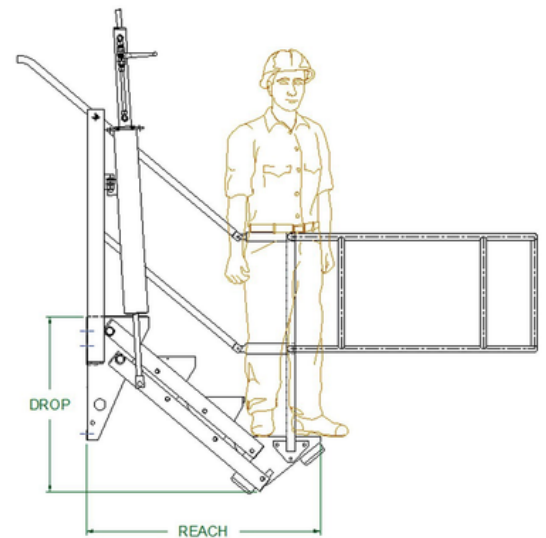
Delivery is available on request - POA. Delivery is from our manufacturing site in Tadcaster

Sizing Chart

Model	UNIT DIMENSIONS (mm)		CAGE DIMENSIONS (mm)			Step Width (mm)				OPTIONAL EXTRAS
	DROP	REACH	WIDTH	LENGTH	HEIGHT	800	1000	1200	1500	Safety Cage
MK 2	481	685	1200	1200	550					
MK 3	677	919	1200	1200	550					
MK 4	874	1152	1200	1200	550					
MK 5	1070	1386	1200	1200	550			⊘	⊘	



Manual Folding Stairs



Manual Folding Stairs with Safety Cage