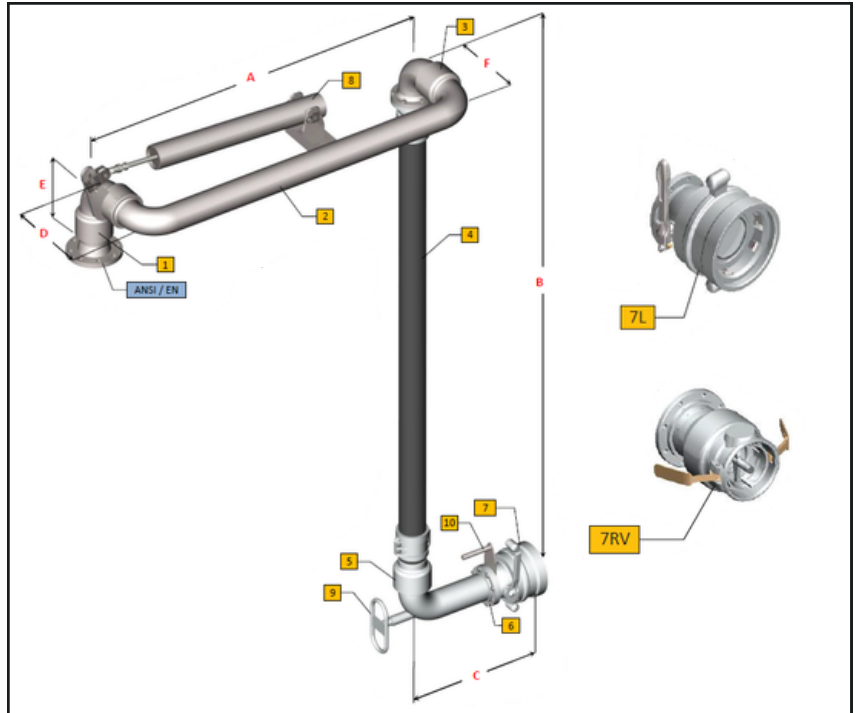


Model 750 / 740

Single Range Bottom Loading and Vapour Recovery Arm with Vertical Flexible Hose

Part List		
Pos.	Description	Model
1	Style 50 Double base Swivel Joint	2174 (*) 2004 (*)
2	Tube Assembly	
3	Style 40 Additional Swivel Joint	2174 (*) 2004 (*)
4	Flexible hose with Safety Collars	504
5	Style 30 Final Swivel Joint	2175
6	TTMA Flange	536
7L	API Liquid Coupling / Dry Disconnect Coupling	3659
7RV	Vapor Recovery Coupling	3682
8	Spring Balancing Cylinder	05182
9	Manoeuvring Handle	
10	Additional Handle	



Standard Dimensions		
Dia	3"	4"
A	900÷1800	900÷1800
B	2500÷4000	2500÷4000
C	650	650
D	296	353
E	289	328
F	296	353
Weight	90	120

Operating Conditions

Design Pressure	10.0 Bar G
Test Pressure	15.0 Bar G
Design Temperature	-15°C / +65°C -40°C / +65°C
Seal Material	VITON® BUNA N Special VITON® (*)
Flow Rate	3"- 75 m³/h Max 4"- 125 m³/h Max

Options:

- Additional Swivel Joint (pos. 3) to provide more flexibility to the hose
- Model 4222 Safety Breakaway Coupling to prevent pull-away accidents
- Model 2141 Check Valve to interrupt the product flow after the pump stops
- Model 3659-CV Dry-Disconnect Coupling with integrated check valve
- Proximity switch to signal the coupling being connected
- Model 3784 Locking Device for the arm in parking position
- Model 2424 Sight Glass in proper position
- Model 4929 Support Standpost
- Non-destructive tests (RT-PT-MT) available on request
- (*) suitable for **BIO** or **Low-Temperature** products

Notes:

- Earthing continuity along the arm, according to the ATEX directive.
- (*) Model 2174 Swivel Joints installed on 750 bottom loading arms.
- (*) Model 2004 Swivel Joints installed on 740 bottom loading arms.

Demonstration of Operating Area

