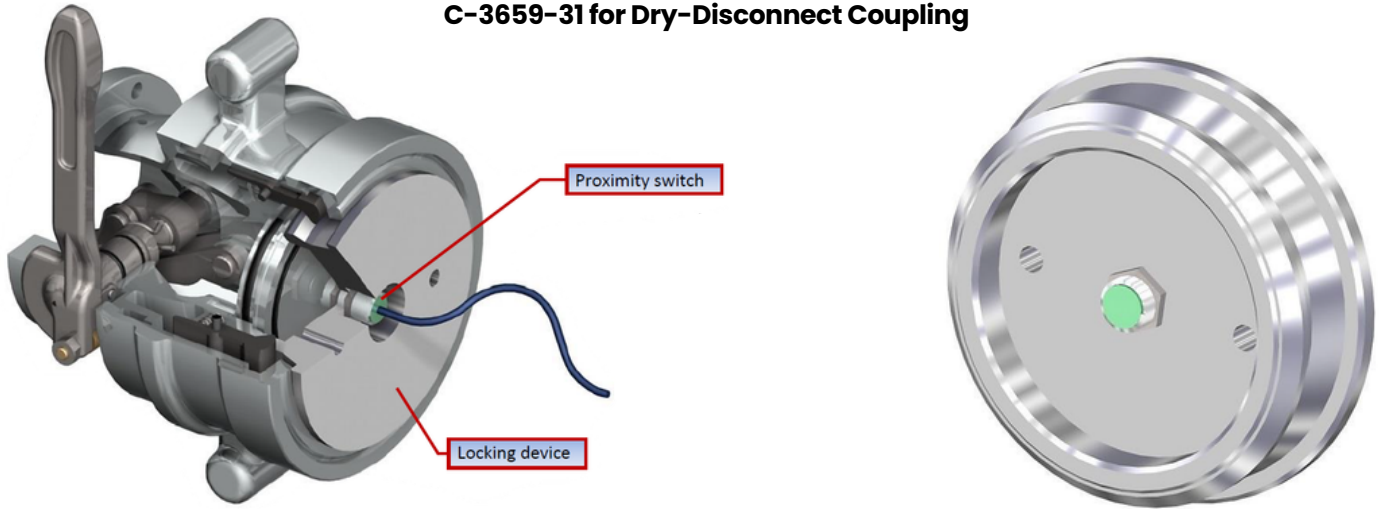


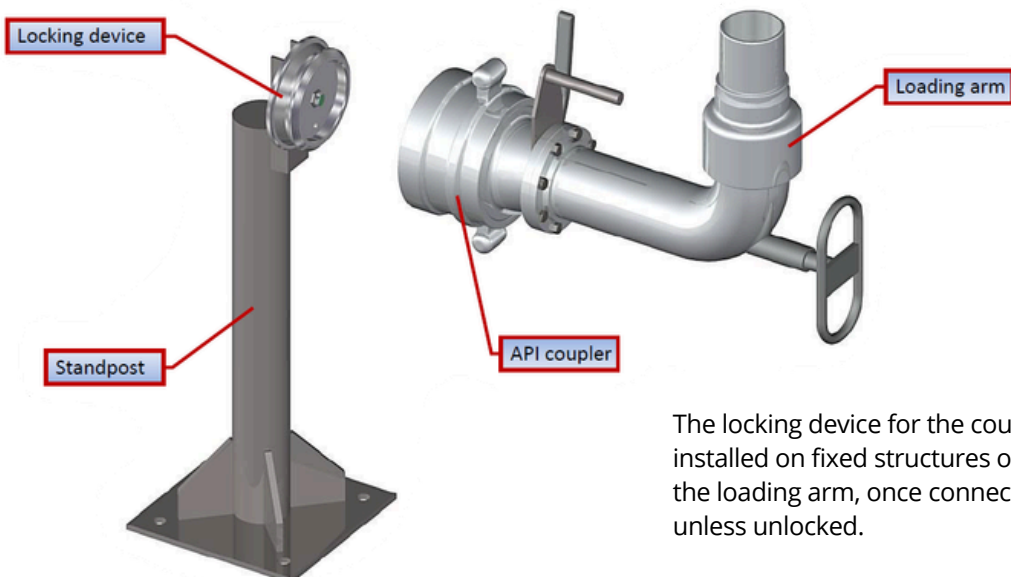
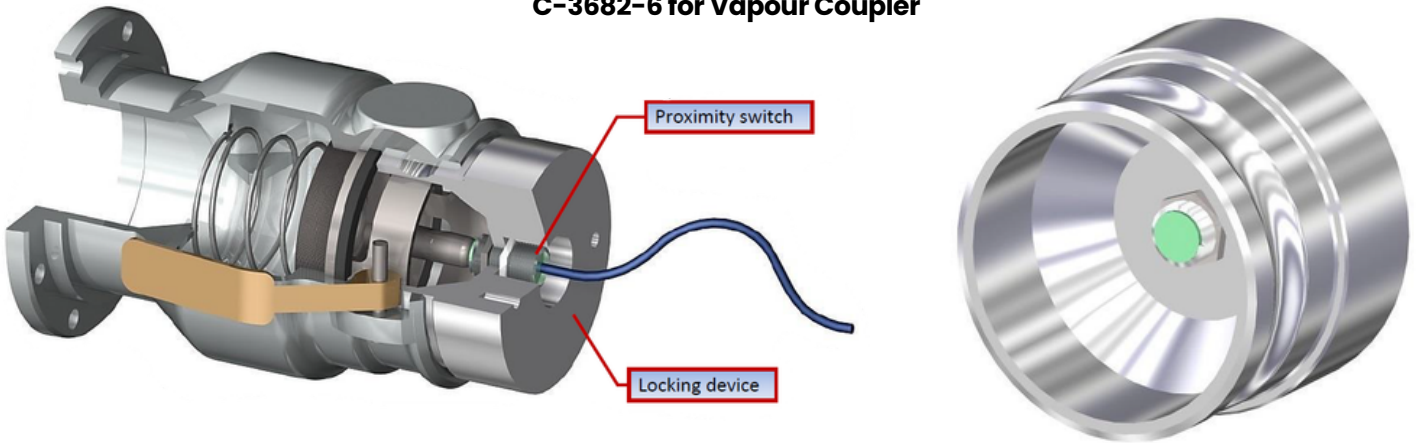
Locking Devices for API 1004 Couplings

The following locking devices for API RP 1004 couplings are designed to lock the couplers and the arms in rest position. They can be equipped with a proximity switch to signal each coupler being correctly connected to the male counterpart.

C-3659-31 for Dry-Disconnect Coupling



C-3682-6 for Vapour Coupler



The locking device for the coupler in rest position must be installed on fixed structures or on a special standpost, so that the loading arm, once connected, has no chance of moving unless unlocked.