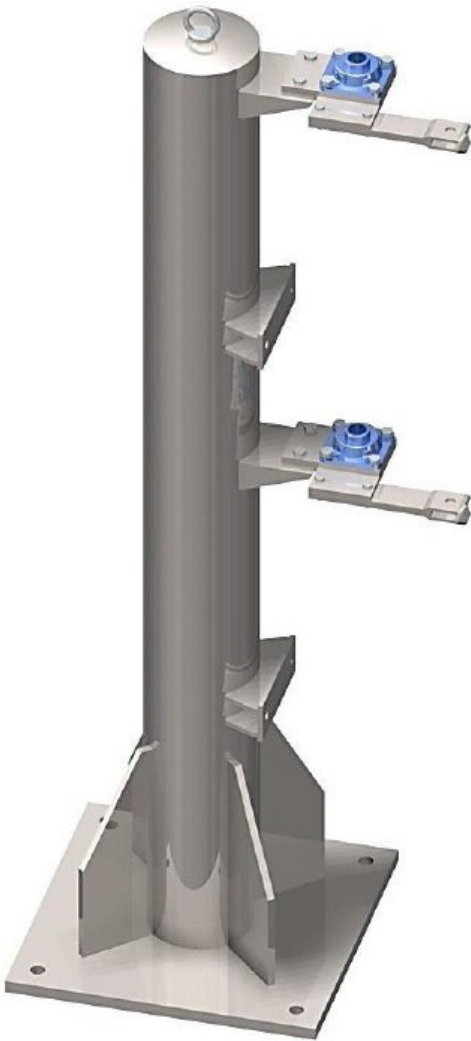


EWFM

Loading Arm Accessories - Support Units for Loading Arms

C-4928-A/B Model support units for Long range loading arms



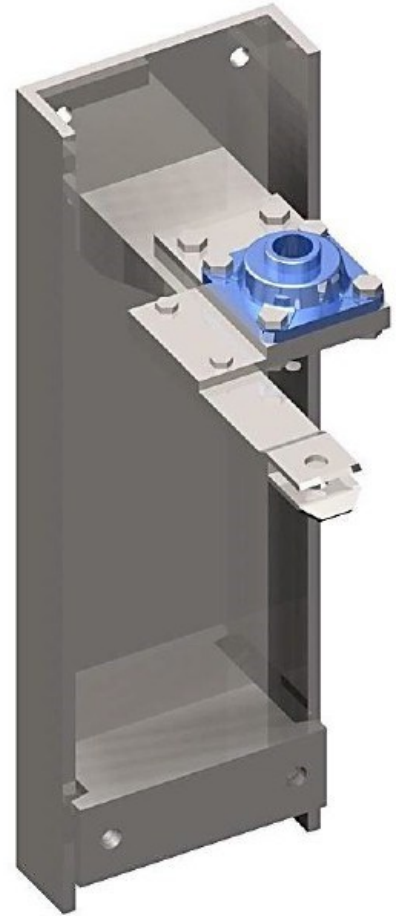
This standpost is recommended when loaders are installed on a gantry where there is no other support structure to be used. It is available in different heights, and it is possible to install maximum 2 loaders on it.

C-4929 / C-4930 Model support units for single range loading arms



This standpost is a support for a single loading arm. It is equipped with an internal line for the product, with inlet and outlet flange (inlet on one side, outlet on the top). This is recommended for the installation of fixed-range loading arms. It is available in different heights, and it is possible to install only one loader on it.

Support units for long range loading arms - Wall fixing plate



The fixing plate is recommended when loaders are installed on a wall or on the gantry structures. It is available in different heights and it is possible to install maximum 2 loaders on it.