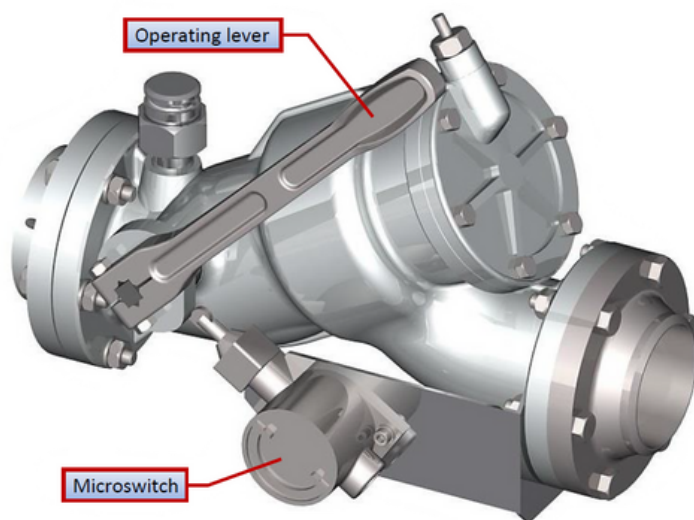


# Electrical Signal Switches for Valve Position/Condition

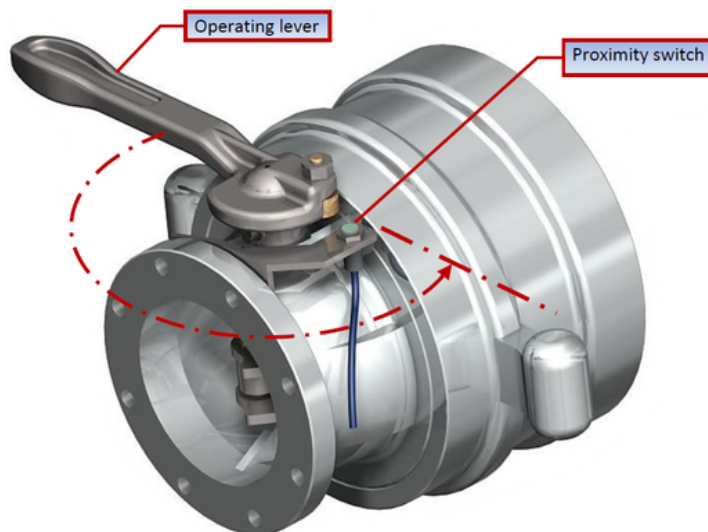
## Electrical signal for open/close Model 504 Loading Valve Detection:

It signals when the Loading Arm gets opened by the lever. It can include a EEx-d microswitch or a EEx-ia proximity switch.



## Connection of the C-3659 model dry-disconnect coupling:

It is used to signal the API RP 1004 female part being connected to the respective male and the operating lever being turned in the loading position. This signal is used on 740/750 or 2454-BC Bottom Loading arms. It is used only with a proximity switch.



## Connection of the C-3659 model dry-disconnect coupling:

It is provided to signal that API RP 1004 vapour return female part (cam and groove) being connected to the respective male. This signal is used on 750 Bottom Loading arms. It is used only with a proximity switch.

