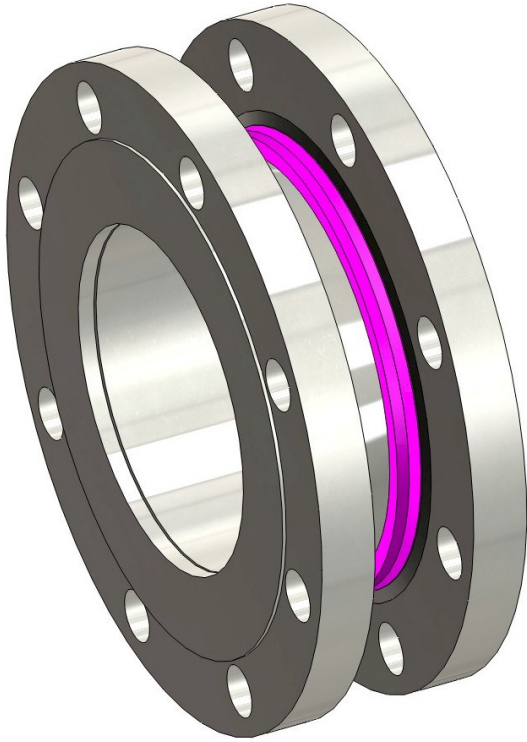


EWFM

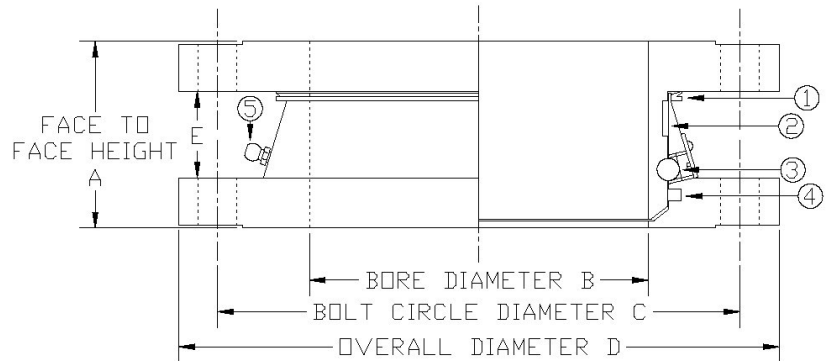
Swivel Joint - Compact Swivel Joint

Standard Features:

The compact swivel joint is the most compact swivel joint design on the market. It has dust seals which keep dirt out and allow grease purging to clean the bearing area. Situated in the swivel are needle roller bearings, which have a very high loading capacity, which keeps the main bearing and seal perfectly aligned. The full complement ball bearings have a high load capacity and are installed through a single hole so that it is virtually impossible for the swivel to separate in service. The main seal is made from standard nitrile rubber, and the swivel is regreasable. Regular greasing will purge contaminants from the bearing area to give a long service life. It is available in carbon steel and 316 stainless steel, with other flanged sizes possible.



Dimensions



Size	Flange face to face height	Bore Diameter	Bolt Circle Diameter	Number of Bolt Holes	Diameter of Bolt Hole	Overall Diameter	Length between back of flanges
	A	B	C			D	E
2"	68	49	121	4	19	152	30
3"	78	74	152	4	19	191	30
4"	82	97	191	8	19	229	34
5"	94	122	216	8	22	254	37
6"	95	146	241	8	22	279	44
8"	106	194	298	8	22	343	49
10"	110	247	362	12	25	406	50
12"	118	298	432	12	25	483	54

Size	Max Radial Load	Max Axial Load	Max Bending Load	Max Pressure Slow Rotating
	kN	kN	Nm	Bar (PSI)
2"	2	9	30	10 (150)
3"	3	12	44	10 (150)
4"	6	25	94	10 (150)
5"	7	30	165	10 (150)
6"	8	36	188	10 (150)
8"	10	45	289	10 (150)
10"	16	75	428	10 (150)
12"	20	91	618	10 (150)