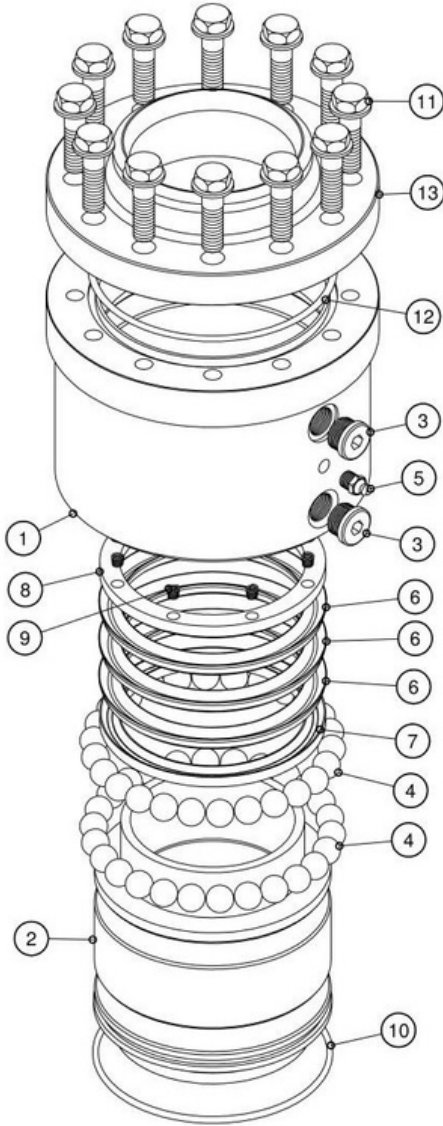


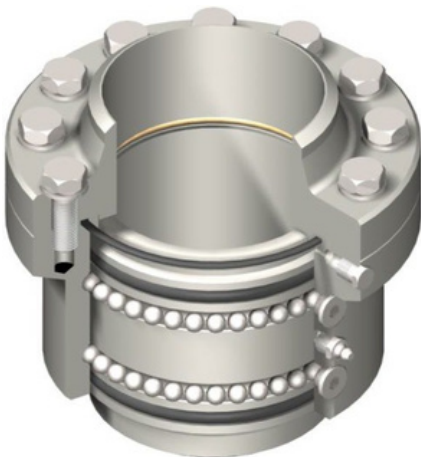
Model 2833 Swivel Joint

Carbon Steel Standard Construction

Exploded View



Assembled View



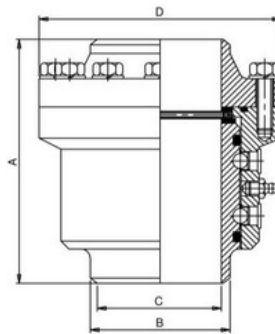
Standard Features:

The Model 2833 Carbon Steel Swivel Joint is a 3 piece design with hardened and ground raceways and PTFE® energised seals. It has a high loading capacity and an easy seal replacement. The sealing surface is AISI 309 and it has an easy swivelling motion.

Part List

Item	Description	Quantity	Material
1	Body	1	Carbon Steel
2	Sleeve	1	Carbon Steel
3	Ball Plugs	1	Carbon Steel
4	Balls		Carbon Steel
5	Energised Seals	1	PTFE filled + ELGILOY®
6	Grease O'Ring	2	BUNA N / VITON
7	Flange O'Ring	1	BUNA N / VITON
8	Flange Screws		Carbon Steel
9	Washers		Carbon Steel
10	Ball Plugs	2	AISI 303
11	Grease Nipple	1	Carbon Steel
12	Leak Detector Plug	1	AISI 304

Primary Dimensions



Size	A	B	C	D	Kg	Design Pressure
1.5"	126	48.3	41	106	4.3	40 Bar G
2"	129	60.3	52	118	5.1	40 Bar G
3"	155.5	88.9	78	154	8.8	40 Bar G
4"	168	114.3	102	190	14.2	40 Bar G
6"	215	168.3	152	240	27.7	25 Bar G
8"	235	219.1	202.5	320	52.3	25 Bar G
10"	252	273	254.5	390	67.6	25 Bar G
12"	250	324	303	450	94.3	25 Bar G