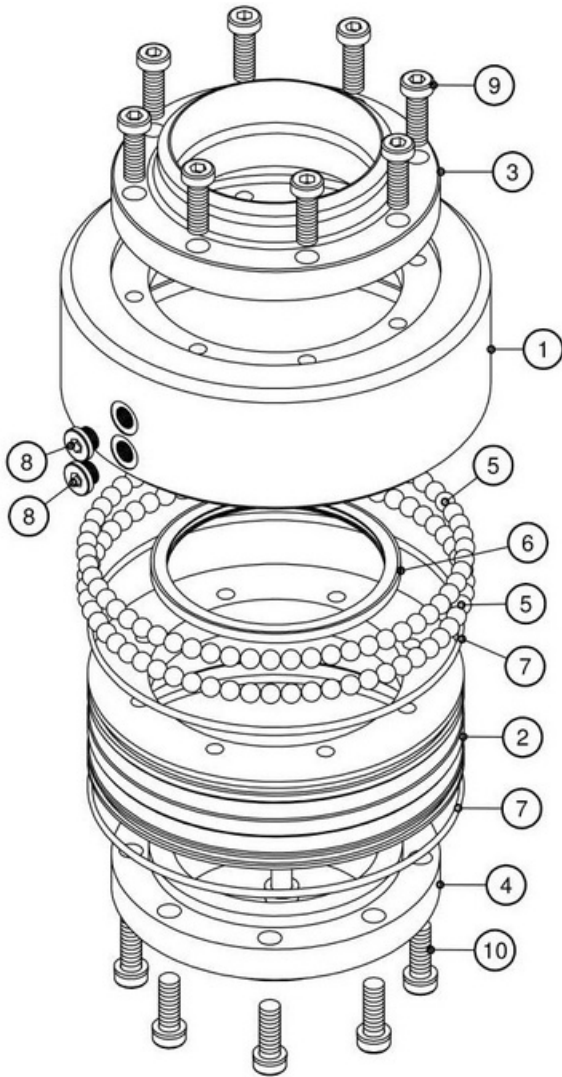


Model 2004 Swivel Joint

Carbon Steel Construction

Exploded View



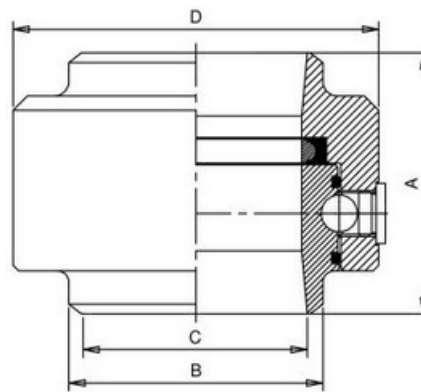
Standard Features:

The Model 2004 carbon steel standard construction Swivel Joint is 2 piece design with hardened and ground raceways. It has a primary seal "C" profile allowing for an easy swivelling motion.

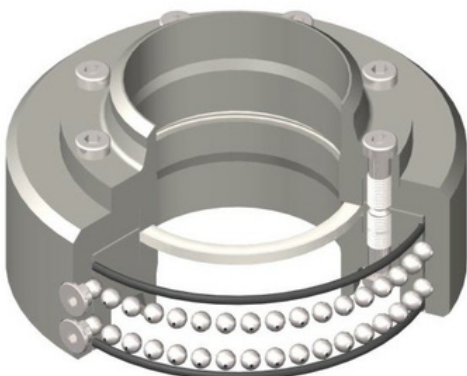
Part List

Item	Description	Quantity	Material
1	Sleeve	1	Carbon Steel
2	Body	1	Carbon Steel
3	Primary Seal	1	BUNA N / VITON
4	Primary Seal Internal Ring	1	Alu. Alloy
5	Balls		Carbon Steel
6	Grease O'Rings	2	BUNA N / VITON
7	Ball Plugs	1	AISI 303

Primary Dimensions



Assembled View



Size	A	B	C	D	Kg	Design Pressure
3"	91	88.9	78	128	3.7	10 Bar G
4"	95	114.3	102	156	5	10 Bar G