

Storage Tank and Reservoir Equipment

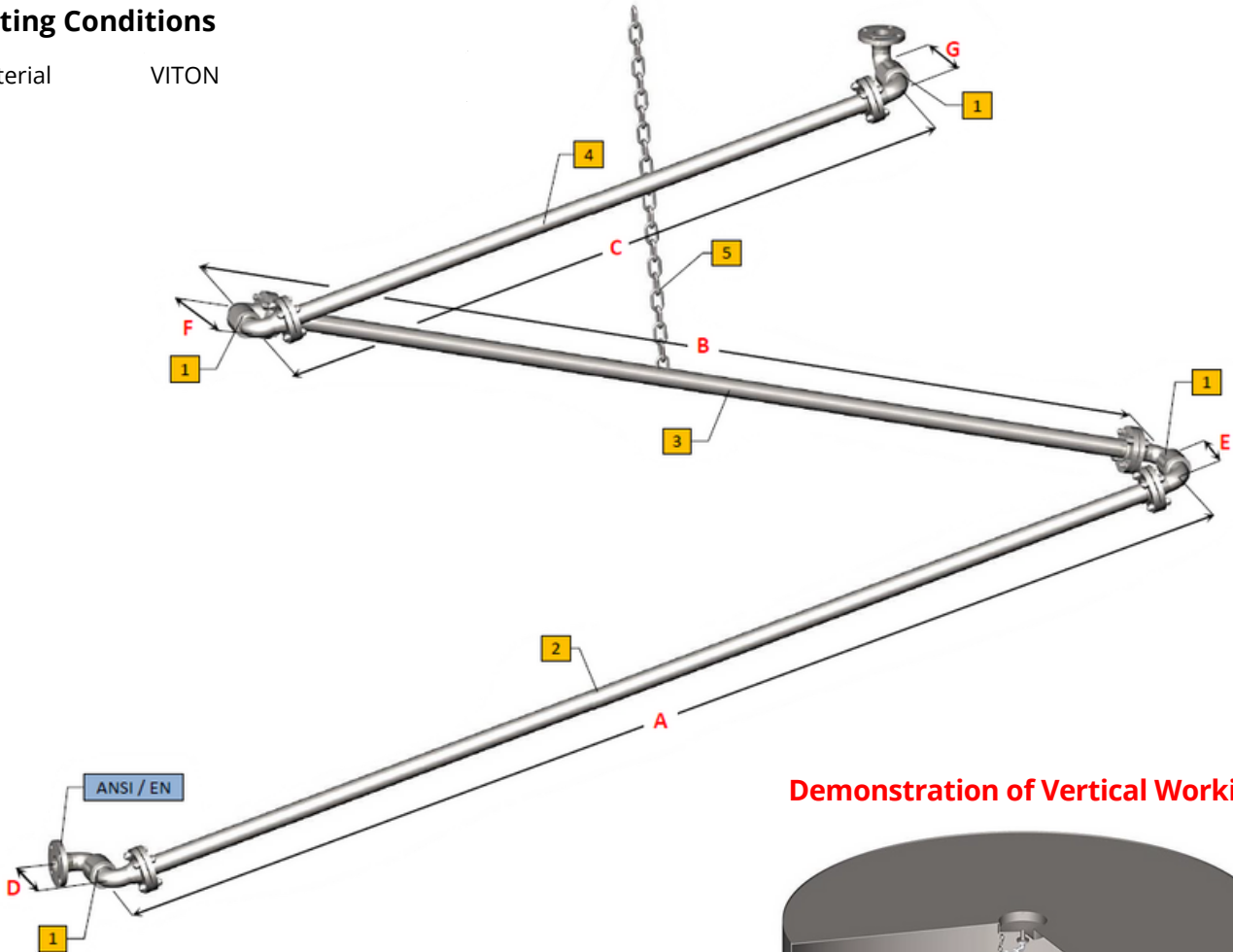
Articulated Drainage Unit for Floating Roof Tanks

Standard Features:

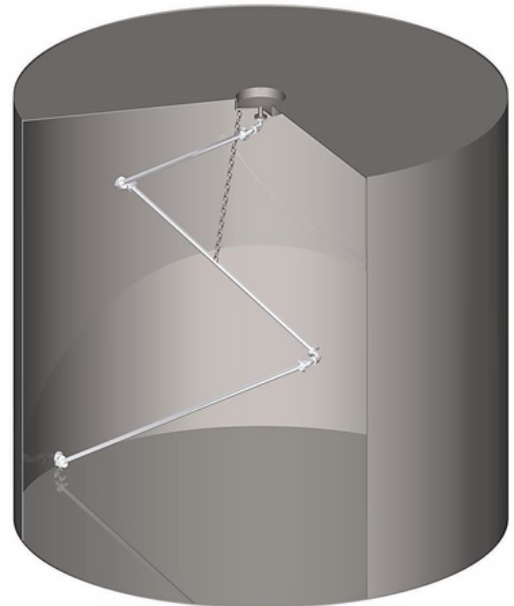
The articulated drainage is installed inside floating roof storage tanks and has the function to drain the rainwater from the roof of the tank. The roof is designed with a slope converging on the centre where there is a collection point with connection flange for the drainage unit. The drainage unit installed inside the tank follows the vertical movement of the roof.

Operating Conditions

Seal Material VITON



Demonstration of Vertical Working



N.	Description	Dwg/Mod
1	Style 40 Swivel Joint	2174
2	Flanged Lower Section	-
3	Flanged Middle Section	-
4	Flanged Upper Section	-
5	Support Chain	-

Notes:

- (**) "A", "B" and "C" dimensions are calculated according to the tank height

Size	A	B	C	D	E	F	G
3"	**	**	**	296	296	296	296
4"	**	**	**	353	353	353	353