

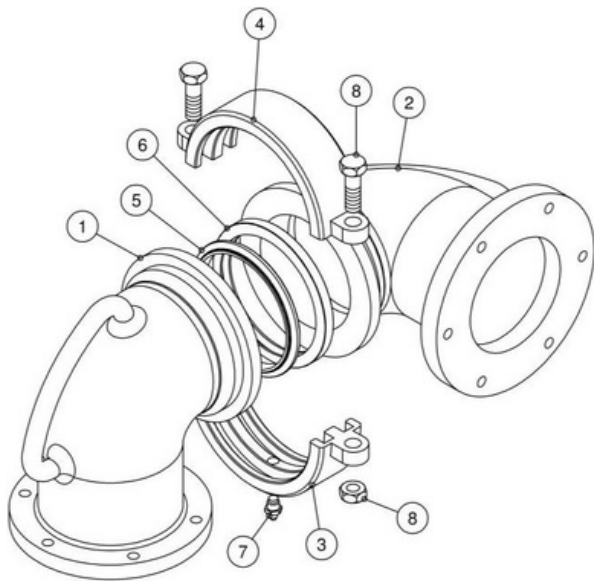
Model 536 Drop Tube Swivel Joint

Aluminium Alloy Construction

Standard Features:

The Model 536 Swivel Joint constructed in aluminium alloy is a simple design with easy seal replacement and swivelling motion. If needed TTMA flanges are available on request.

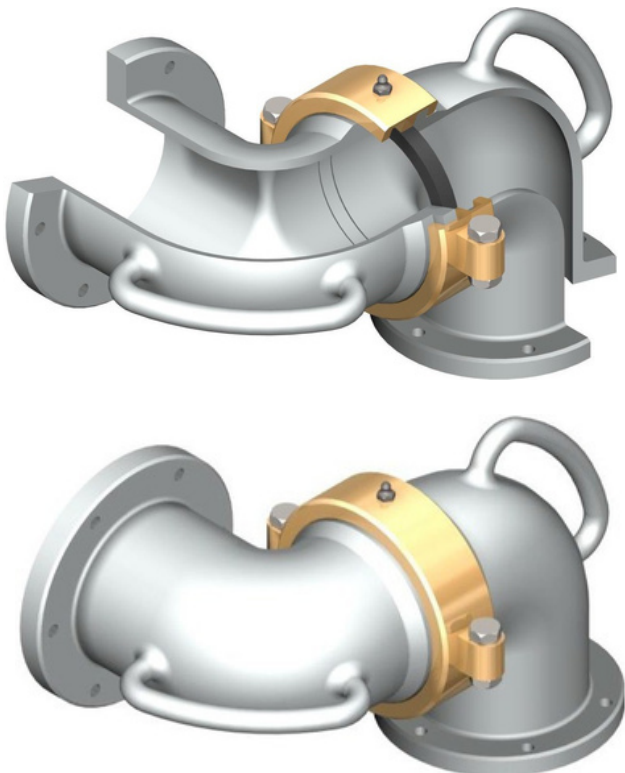
Exploded View



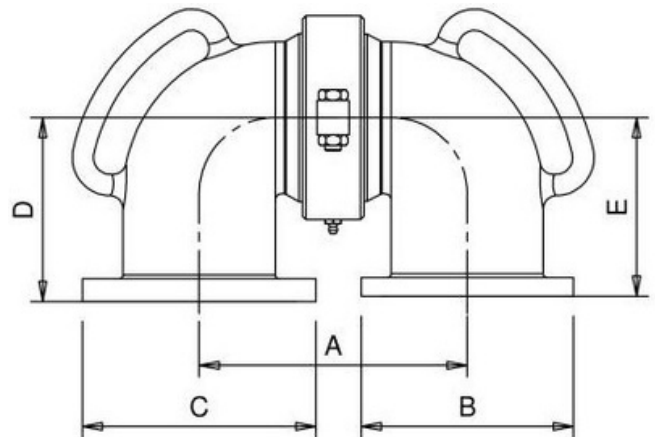
Part List

| Item | Description | Quantity | Material |
|------|-----------------|----------|----------------|
| 1 | Outlet Elbow | 1 | Alu. Alloy |
| 2 | Inlet Elbow | 1 | Alu. Alloy |
| 3 | Half Collar | 1 | Bronze |
| 4 | Half Collar | 1 | Bronze |
| 5 | Seal Ring | 1 | Alu. Alloy |
| 6 | Packing Seal | 1 | BUNA N / VITON |
| 7 | Grease Nipple | 1 | Carbon Steel |
| 8 | Screws and Nuts | 1 | Carbon Steel |

Assembled View



Primary Dimensions



| Size | A | B (*) | C (*) | D | E | KG | Design Pressure |
|------|-----|-------|-------|-----|-----|-----|-----------------|
| 3" | 174 | 128 | 154 | 122 | 127 | 4.5 | 10 Bar G |
| 4" | 201 | 159 | 175 | 138 | 134 | 6.5 | 10 Bar G |
| 6" | 275 | 222 | 222 | 160 | 160 | 13 | 10 Bar G |