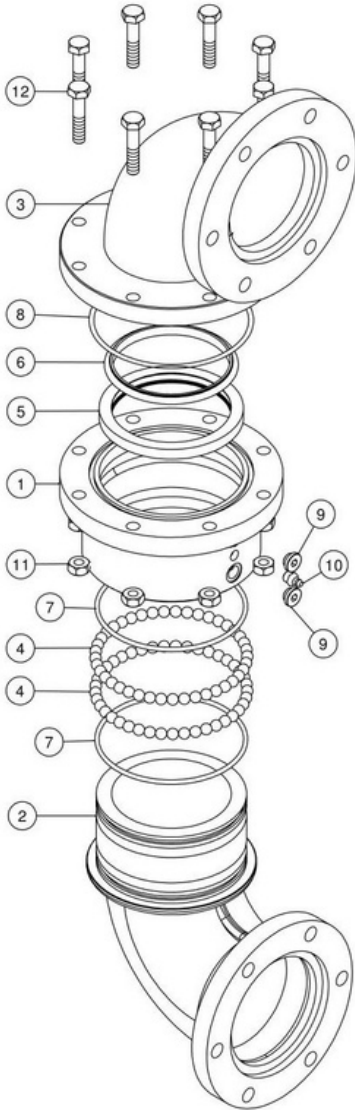


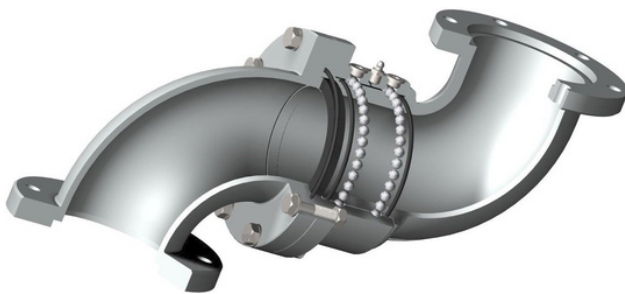
Model 3443 Light Swivel Joint

Aluminium Alloy Construction

Exploded View



Assembled View



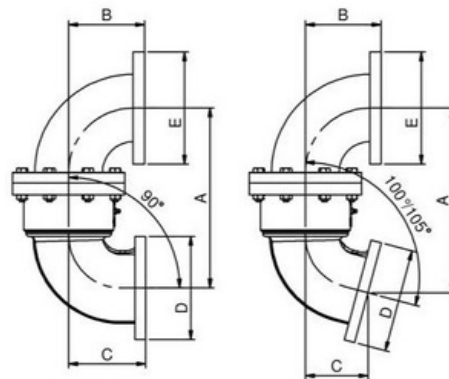
Standard Features:

The Model 3443 Swivel Joint in aluminium alloy construction is a light swivel elbow made to a style 40 with an easy seal replacement and swivelling motion.

Part List

Item	Description	Quantity	Material
1	Female	1	Alu. Alloy
2	Flanged Drop Male	1	Alu. Alloy
3	Flanged Drop		
4	Balls		Carbon Steel
5	Packing Seal	1	BUNA N / VITON
6	Seal Ring	1	Alu. Alloy
7	Grease O'Ring	2	BUNA N / VITON
8	Flange O'Ring	1	BUNA N / VITON
9	Ball Plugs	2	AISI 303
10	Grease Nipple	1	Carbon Steel
11	Bolting and Washers		Carbon Steel
12	Screws		Carbon Steel

Primary Dimensions



Size	A	B	C	D (*)	E (*)	KG	Design Pressure
3"	238	101	106	154	154	6.6	10 Bar G
4"	305	128	130	175	190	10	10 Bar G

Notes:

3443 Swivel Joint is available in 2 different models:

- 3443/90 Model to have horizontal secondary tube
- 3443/105-100 Model to have 15°/10° sloped secondary tube

(*) TTMA flanges available on request