

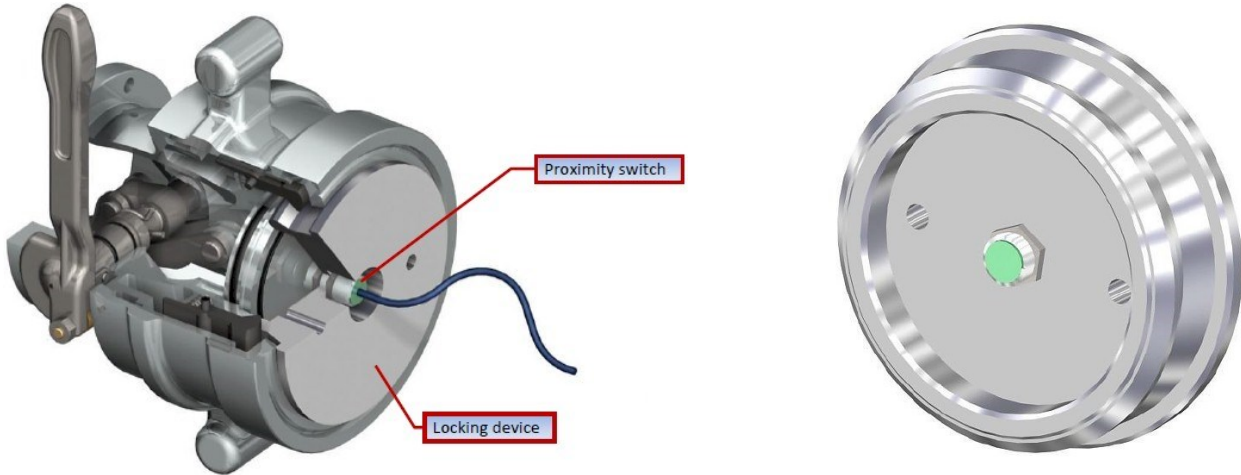
EWFM

Loading Arm Accessories - API Coupler locking devices

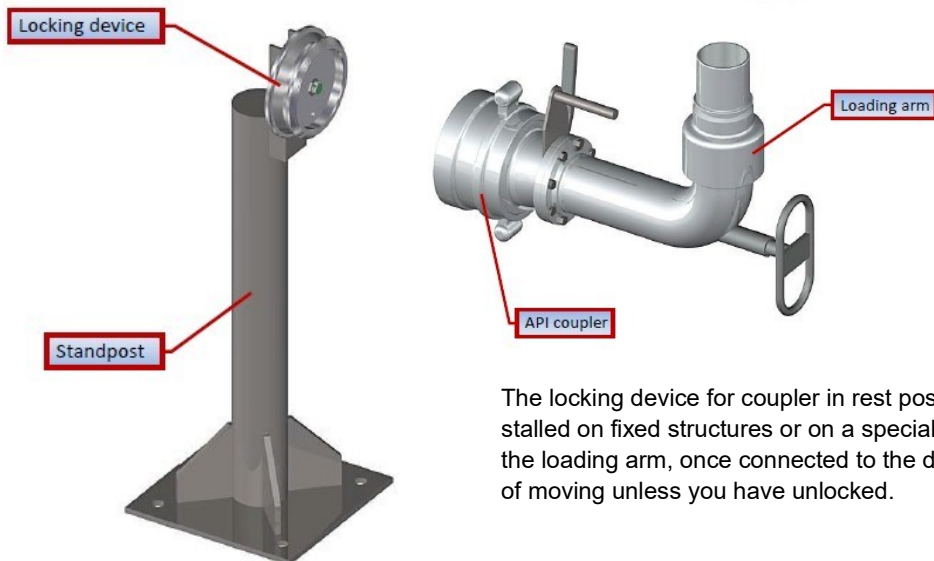
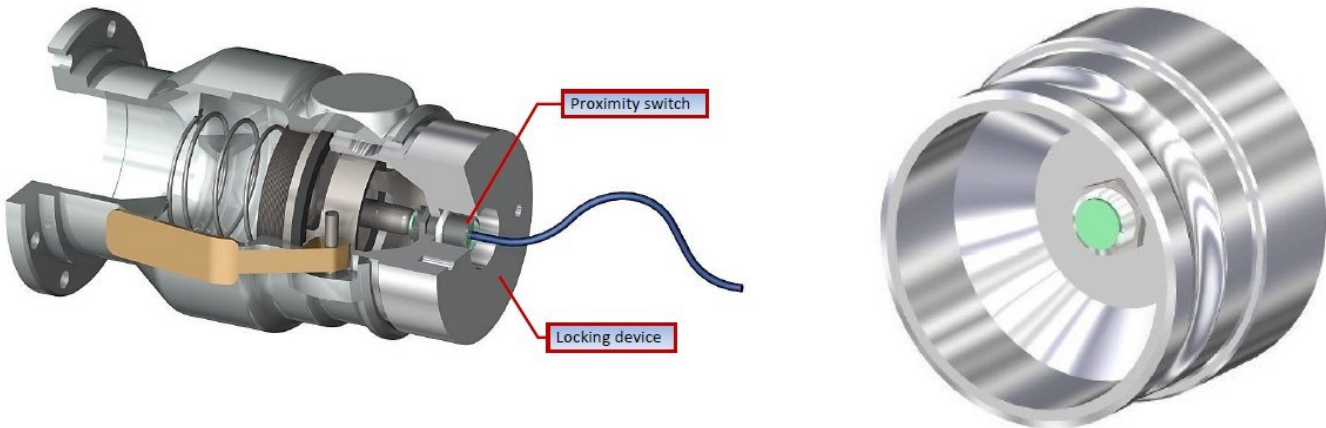
Locking device arm in parking position for couplers

Locking device for liquid and vapour API RP 1004 couplers, are designed by EWFM to lock the valve in rest position and consequently also the arm will be locked in turned parking position. On request, can be equipped with proximity switch to signal coupler correctly connected and arm in rest position.

C-3659-31 for dry-disconnect coupling



C-3682-6 for vapour coupler



The locking device for coupler in rest position, must be installed on fixed structures or on a special standpost, so that the loading arm, once connected to the device, has no chance of moving unless you have unlocked.