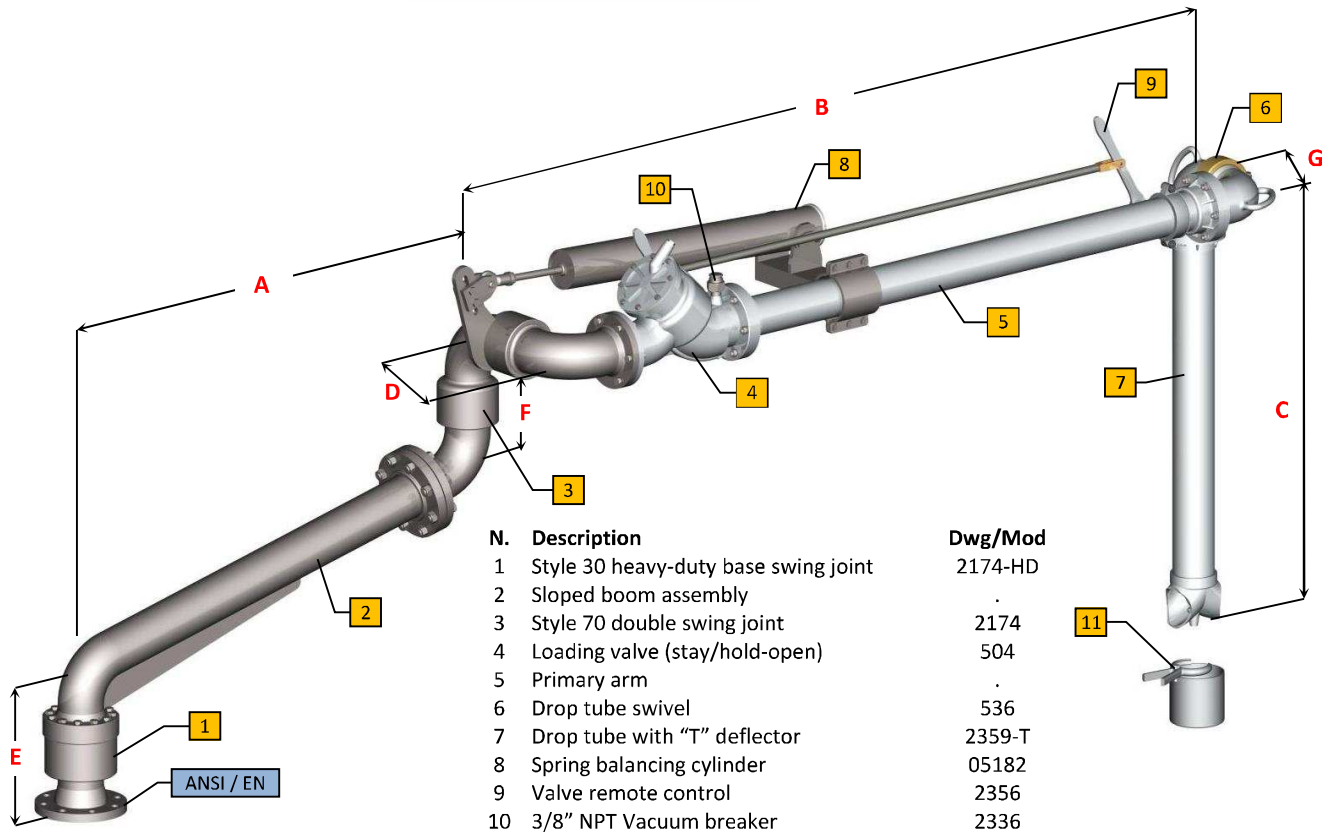


# Long range top loading arm with sloped unsupported boom 2633

# EWFM



N.	Description	Dwg/Mod
1	Style 30 heavy-duty base swing joint	2174-HD
2	Sloped boom assembly	.
3	Style 70 double swing joint	2174
4	Loading valve (stay/hold-open)	504
5	Primary arm	.
6	Drop tube swivel	536
7	Drop tube with "T" deflector	2359-T
8	Spring balancing cylinder	05182
9	Valve remote control	2356
10	3/8" NPT Vacuum breaker	2336
11	Nipper drip bucket	2408

### Operating Conditions

Design Pressure	10.0 Bar G
Test Pressure	15.0 Bar G
Design Temperature	-15° C / +65° C
Seal Material	VITON Nitrile (BUNA N) Special VITON (*)
Flow Rate	3" – 75 mc/h Max 4" – 125 mc/h Max

### Standard Dimensions

Dn.	3"	4"
A	1500/2500	1500/2500
B	2000/3000	2000/3000
C	1600	1600
D	296	353
E	318	375
F	296	353
G	174	201
Weight	125	165

### Notes

- Earthing continuity along the arm, according to ATEX directive

### Options

- Pos.7 with flute beak end (2359-BF)
- Pos.7 with flow deflector (2359-D)
- Microswitch to signal valve opened/closed
- Rotational microswitches to signal arm side in use
- Locking device for arm in parking position
- (\*) Suitable for BIO-Products
- Overfill level sensor
- NDT test (RT-PT-MT) available on request

### Demonstration of operating area (both side of loading gantry)

