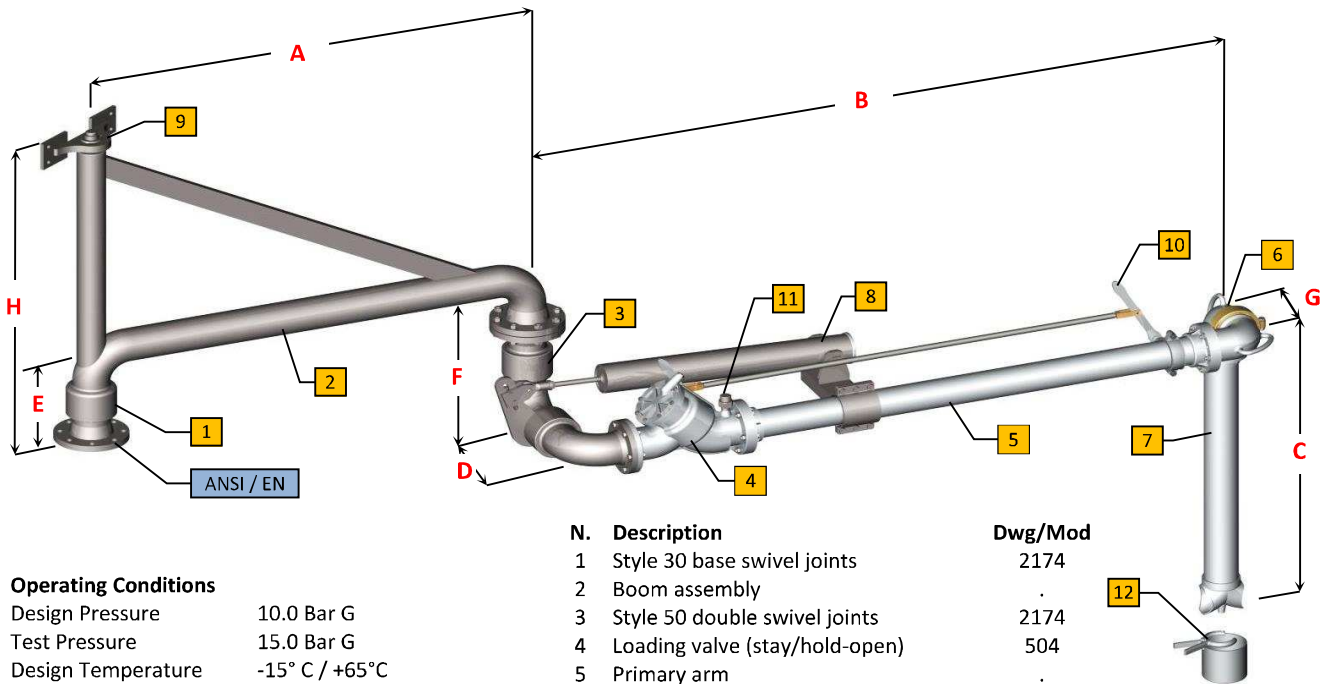


# Long range top loading arm

# EWFM

## 621-LR/B



### Operating Conditions

Design Pressure	10.0 Bar G
Test Pressure	15.0 Bar G
Design Temperature	-15° C / +65° C
	VITON
Seal Material	Nitrile (BUNA N) Special VITON (*)
Flow Rate	3"– 75 mc/h Max 4"– 125 mc/h Max 6"– 280 mc/h Max

### N. Description

1	Style 30 base swivel joints	2174
2	Boom assembly	.
3	Style 50 double swivel joints	2174
4	Loading valve (stay/hold-open)	504
5	Primary arm	.
6	Drop tube swivel	536
7	Drop tube with "T" deflector	2359-T
8	Spring balancing cylinder	05182
9	Pillow block	C-4354
10	Valve remote control	2356
11	3/8" NPT Vacuum breaker	2336
12	Nipper drip bucket	2408

### Dwg/Mod

### Standard Dimensions

Dn.	3"	4"	6"
A	2500	2500	2500
B	2100	2100	2100
C	1200/2000	1200/2000	1200/2000
D	296	353	525
E	289	328	462
F	439	510	707
G	174	201	278
H	1000/2000	1000/2000	1000/2000
Weight	160	215	300

### Notes

- 621-LR/A Model is also available, with intermediate swivel Pos. 3 turned toward the top
- Earthing continuity along the arm, according to ATEX directive

### Options

- Pos.7 with flute beak end (2359-BF)
- Pos.7 with flow deflector (2359-D)
- Microswitch to signal valve opened/closed
- Locking device for arm in parking position
- (\*) Suitable for BIO-Products
- Overfill level sensor
- NDT test (RT-PT-MT) available on request

### Demonstration of operating area

