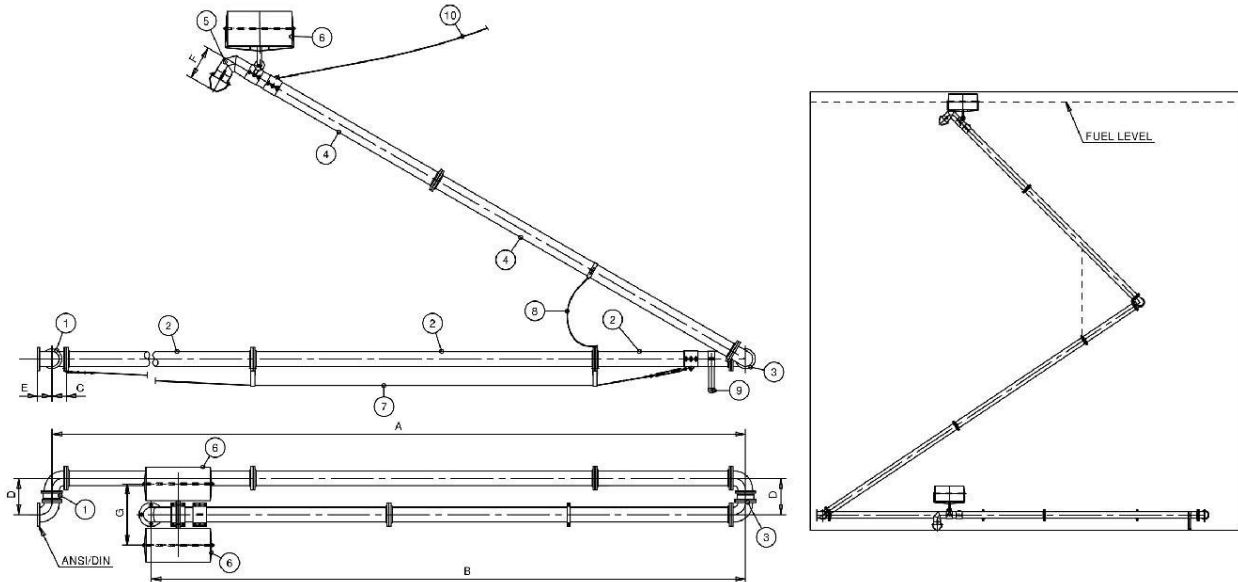


# Double range model 2302 floating suction unit (Aluminum or Stainless Steel standard construction)



## Operating Conditions

Seal Material	VITON / PTFE
Flow rate	1.5 m/s

## Standard dimensions

Dn.	2"	3"	4"	6"	8"	10"	12"
A	**	**	**	**	**	**	**
B	**	**	**	**	**	**	**
C	91	129	125	190	210	226	375
D	257	363	375	513	547	634	884
E *	91	129	125	190	210	226	375
F *	500	500	500	500	500	500	500
G *	800	800	800	800	800	800	800

## N. Description

- |    |                               |   |
|----|-------------------------------|---|
| 1  | Swivel joint                  | . |
| 2  | Swivel joint tube             | . |
| 3  | Swivel joint                  | . |
| 4  | Swivel joint tube             | . |
| 5  | Final elbow with baffle plate | . |
| 6  | Floats                        | . |
| 7  | Traction rope                 | . |
| 8  | Restraining cable             | . |
| 9  | Support                       | . |
| 10 | Inspection rope               | . |

## Dwg/Mod

## Notes

- Demonstrative dimensions (\*)
- "A" dimension calculated according to tank height (\*\*)

The floating suction unit Model 2302 operates within vertical storage tanks of a certain height, for which you cannot install a single section unit. Like the Model 2249, the Model 2302 is designed to suck the clean product just below the product surface. This is in order to prevent the contamination of the product with sediments which settle on the bottom and very top of the tank. The position of the suction surface is guaranteed by the presence of floats, correctly sized according to the weight of the arm and of the stored product.

